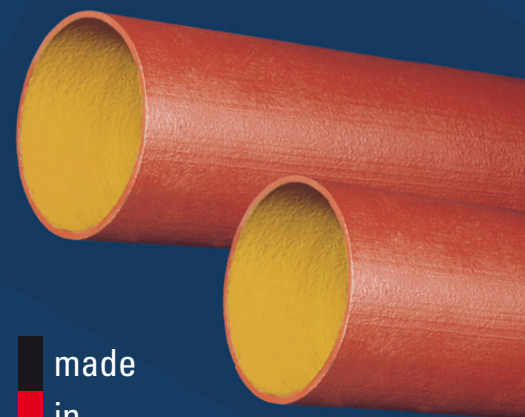




SML Specifier's Manual

Düker cast iron drainage pipe systems
for building drainage



made
in
Germany

Düker SML Pipe System



General Information



Fire Protection



Acoustic Protection



Pipes and Fittings



Couplings



Installation Instructions



Design and Pipe Laying



Specifying Texts



TABLE OF CONTENTS

General Information		02	Couplings Programme
Aspects in Favour of Cast Iron	4–5	Dükorapid® coupling	69
Application, Standards	6	Dükorapid® Inox coupling	69
Approvals	7	Rapid Inox coupling	70
Quality and Safety	8–10	CV coupling	70
Environmental Protection	11–12	CE coupling	71
Material Properties	13	CV Inox coupling	71
Coatings and Linings	14	Düker CE dual ring coupling	72
Marking	15	SVE coupling	72
Manufacture	16–17	Connect-F Inox coupling	73
Contacts	110	Connect-G Inox coupling	73
		Düker Kombi grip collar	74
		Düker EK Fix coupling	75
		Konfix Multi coupling	75
		Multiquick coupling	76
		Transition coupling	76
		Düker Fire protection coupling BSV 90	77
		SML couplings: recommended application areas	78–79
Fire Protection			
Cast Iron Benefits	18–21		
Building Codes and Approval Documents	22–23		
German MLAR	24–25		
Approved Solutions	26		
Mixed Installation	27–29		
Pipelines Installed in Escape and Emergency Routes	30		
Acoustic Protection			
Test Certificate	32		
Measures, Acoustic Decoupler	33–34		
01 SML Delivery Programme		03 Installation Instructions	
SML pipes and fittings – construction dimensions	37	Assembling and Installation Instructions for Düker Couplings	81–82
SML pipes	38	Dükorapid® Coupling / Dükorapid® Inox Coupling / Rapid Inox Coupling	83
Düker pro-cut tape	38	CV / CE / CV Inox Coupling	84
SML reducers	38	Connect-F Inox / Connect G-Inox	85
SML down pipe supports and bearing rings	39	Düker Kombi Grip Collar	86
SML ring console	39	SVE Coupling	87
SML bends	40–43	Düker EK Fix Coupling / Konfix Multi Coupling	88
SML offsets/S-bends	44–45	Multiquick Coupling	89
SML branches	46–51	Transition Coupling DN 70 - DN 80	90
SML inspection pipes	52	04 Design and Pipe Laying	
SML plugs	53	Cutting Pipes	93
SML siphons, installation examples	54–56	Cut Edge Protection pro-cut tape	94
SML rain water stand pipes	56	Maintenance and Pipe Cleaning	94
SML adapter with clamp and wall flange	57	Imbedding Cast Iron Pipes in Concrete	95
SML pipe with wall flange	57	Underground Installation of Cast Iron Drainage Pipelines	95
Düker sealing flange	57	Installation Outside of Buildings	95
SML roof penetration, installation examples	57–59	Fixings	96–97
SML connecting bend, connecting Y-pipe	59	Electrical Continuity	98
Rubber connectors, SML manifold connectors	59	Flow Capacities	99
Further Connections to SML	60	Aquaperfect	100–103
WC connectors, installation examples	60–64	CAD Product Data	104–105
SML Boss Pipes and SML connector	65	05 Specifying Texts	
SML connection for vitrified clay pipes	65	Specifying Texts	106–109
Connections of SML Pipes to other Soil Pipes	66–67		

General Information



Düker Cast Iron Pipes are Fire Protection Pipes

- non-combustible construction product – no contribution to the development of fires (flashover), no thermal loads
- Düker SML with the best reaction to fire classification on the market: A1 as per EN 13501-1
- open installation in escape routes
- no formation of smoke – smoke is the fastest and most frequent cause of death in a fire
- penetration seals with well-tried German MLAR solutions are easy and low-priced
- fire transmission into lower storeys is prevented without fail
- the functionality is maintained throughout a fire if pure cast iron installations are chosen

Düker Cast Iron Pipes are Acoustic Protection Pipes

- cast iron with flake graphite is extremely sound-absorbent due to its structure and mass
- with the acoustic decoupler, Düker SML reached unrivaled low values (11 dB(A) at 4 l/s, quieter than falling snow)

Düker Cast Iron Pipes are Easy to Handle and to Install

- with suitable tools, cast iron can be cut easily, fast and accurately (page 93)
- no danger of cracks due to handling at low temperatures
- Rapid couplings ensure a fast, accurate and axially restrained connection (page 83)
- the comprehensive range of fittings offers solutions for all problems of building installation (pages 37 to 64)
- due to the stability of the pipes, few brackets need to be installed (pages 96 to 97)
- thanks to the inferior thermal length expansion, no deflection legs, expansion sockets, anchored and sliding fixings etc. need to be considered (pages 13 and 20 to 21)
- laying in concrete is possible without any problems (page 95)
- even for siphonic drainage, no particular fixing (trace railing or similar) needs to be used (pages 100 to 103)
- special versions are available for underground installation or bridge drainage (page 14)
- different cast iron drainage pipe versions are always compatible among each other and do not require any special transition pieces (page 14)

Düker Cast Iron Pipes are Stable and Resistant

- cast iron pipes are resistant to positive and negative interior pressure, even in larger diameters (pages 37 and 78 to 79)

- the pressure resistance is not interdependent with medium or environment temperature, neither at high nor at low temperatures
- cast iron pipes are absolutely UV-resistant, no material embrittlement
- cast iron pipes do not show the typical plastic phenomenon of thermal shrinkage (shortening of plastic pipes after exposure to heat, therefore withdrawing from the socket)
- cast iron pipes are „vandalism-safe“

Düker Cast Iron Pipes are Environmentally Friendly

- cast iron pipes are manufactured from practically 100% recycling material (cast iron scrap)
- cast iron pipes do not emit any volatile organic compounds (VOC) (page 11)
- due to the socketless construction, even smaller pipe cuttings can still be used, therefore reduction of waste
- waste remaining after installation or after the end of life of the drainage pipe system can be recycled without any problems

Düker Cast Iron Pipe Systems are Manufactured in Germany

- elevated safety and environment protection standards in the production facilities
- known superior quality, with RAL GEG quality seal
- safe warranty ensured by a well-established manufacturer
- complete couplings programme „made in Germany“
- elevated stock supplies for fast deliveries
- manufacture in central Germany for short distances to clients within Europe
- your Düker contact persons are in direct contact with production (page 110)

**Made by
Düker**

When considering and evaluating all positive aspects of Düker cast iron pipes, one will inevitably arrive at the conclusion that Düker cast iron pipe systems offer an excellent price-performance ratio, also compared with the alternatives. Bear in mind the inexpensive solutions for acoustic and fire protection, bracketry etc. In particular in larger residential and administrative buildings, hotels, hospitals and special-care facilities, **Düker cast iron pipe systems are your first choice!**

APPLICATION, STANDARDS



Areas of Application

The European standard EN 877 is valid for prefabricated parts of cast iron pipes for construction - normally as non-pressure pipelines - of building drainage systems as well as connecting drains. The nominal diameter range covers DN 40 up to and including DN 600. This standard contains requirements for material, dimensions and tolerances, mechanical features, composition, standard coatings for cast iron pipes, fittings and accessories. Further it contains functional requirements for all prefabricated parts including couplings. It is valid for pipes, fittings and accessories which are manufactured by casting process, no matter which type, or from cast parts, and for the corresponding couplings. Düker SML drainage pipe systems are in accordance with this standard and exceed its requirements by far in many respects. Also the demands of DIN 19522 and ISO 6594 are surpassed.

Planning and Installation

Planning and installation of SML pipelines follow the technical regulations and stipulations of

- **EN 12056 Gravity drainage systems inside buildings**
 - Part 1: General and performance requirements
 - Part 2: Sanitary pipework, layout and calculation
 - Part 3: Roof drainage, layout and calculation
 - Part 4: Waste water lifting plants – Layout and calculation
 - Part 5: Installation and testing, instructions for operation, maintenance and use
- **EN 752 Drain and sewer systems outside buildings**
- **EN 1610 Construction and testing of drains and sewers**

and other applicable European, national or local standards and regulations.

Applicable Product Standards

Düker SML meets the requirements of

- **ISO 6594** Cast iron drainage pipes and fittings - spigot series
- **EN 877** Cast iron pipes and fittings, their joints and accessories for the evacuation of water from buildings – Requirements, test methods and quality assurance
- **DIN 19522** Cast iron drainage pipes and fittings without socket (SML)

and other international standards.



CE Conformity



In 2008, the relevant product standard EN 877 for cast iron drainage pipe systems became a so-called harmonised standard. This means that it now contains an annex ZA with details about the product characteristics and testing required for CE marking.

The manufacturers are now required to apply the CE marking to their products as per EN 877 in order to confirm the product's suitability for the free trade inside the EU. The CE marking replaces certain national marks such as the German „Ü“ conformity mark.

The application of the CE marking must be based on a Declaration of Performance issued by the manufacturer. This Declaration of Performance (DOP) is based on the European Construction Products Regulation.

However, unlike former „Ü“ mark, the CE marking on cast iron drainage pipe products is not based on any third-party quality tests. All tests (with the exception of a fire test for the European classification „non-combustible“) are carried out and confirmed only by the manufacturer himself. For this product, the CE marking is not an effective statement about product quality.

For the latest version of the Düker Declarations of Performance (DOP), please visit www.dueker.de/dop.

Approvals

While the CE marking and the Declaration of Performance are the only documents that are legally required for the use of cast iron drainage pipe systems in the European Community, national quality seals still exist in several countries. Outside of the EC, official approvals may still be necessary.

Düker SML is officially approved in



Czech Republic
No. J-30-20817-04
for Düker SML, MLK, MLB, TML



France (NF)
No. 4/1
for Düker SML DN 50 - 400

Hungary
No. ATB-5/2010
for Düker SML, MLK-protec, MLB, TML



Norway
No. 0401 and 0408
for Düker SML



Russia
No. POCC DE. E01.H38694
for Düker SML DN 50-300



Sweden
No. 0041/04
for Düker SML



Switzerland
No. 23005
for Düker SML

Ukraine
No. UA1.0012427-13
for Düker SML



United Kingdom
BBA Agrément No. 04/4189
for Düker SML DN 50 – 300



Kitemark No. KM 613082
for Düker/Harmer SML DN 50 - 300

Declaration of Performance
No. SML 002

- Unique identification code of the product: SML Drainage pipe system consisting of pipes and fittings made of cast iron
- Batch number: Item no., nominal width, angle and manufacturing date see each product
- Intended use: Drainage of waste water or rain water from buildings
- Name and contact address: Düker G&K, Düker GmbH, D-87753 Kariatz, www.dueker.de
- Where applicable, authorized representation: not applicable
- System of assessment: System 3
- Details: The notified body Materialprüfungsamt Nordhein-Westfalen 0432 performed the initial type testing of the reaction to fire as per EN 877:2010:01 annex ZA and issued a certificate for the classification.
- Product with a European Technical Assessment: not applicable
- Declared performance:

Essential characteristics	Performance	Harmonised technical specification
Reaction to fire	kl1	EN 877:2010:01
System	kl1	EN 877:2010:01
Internal pressure strength	Class	EN 877:2010:01
External load capacity	Class	EN 877:2010:01
Ball resistance	Class	EN 877:2010:01
Crush strength	Class	EN 877:2010:01
Impact resistance	Class	EN 877:2010:01
Flammability	Class	EN 877:2010:01
Acid resistance	Class	EN 877:2010:01
Alkaline resistance	Class	EN 877:2010:01
External coatings	Class	EN 877:2010:01
Internal coatings	Class	EN 877:2010:01
Fittings	Equival	EN 877:2010:01
External coatings	Class	EN 877:2010:01
Flaps	Equival	EN 877:2010:01
Flanges	Equival	EN 877:2010:01

10. Conclusion: The performance of the product identified in points 1 and 2 is in conformity with the declared performance in point 9. The declaration of performance is issued under the sole responsibility of the manufacturer identified in point 4. Signed for and on behalf of the manufacturer by:

Christian Fries, Head of Quality Management
and
Oliver Jäger, Head of Design and Development Department

Names and functions
Kariatz, 01 January 2017
Place and date of issue

Signatures

Düker GmbH
Wolke Kariatz
Wolke Kariatz
Wolke Kariatz
Wolke Kariatz

Internet: www.dueker.de
E-Mail: info@dueker.de
Wolke Kariatz
Wolke Kariatz
Wolke Kariatz

Tel: +49 89 22 70-0
Fax: +49 89 22 70-100

Representative
Angewandte Technologie AG
Karl-Heinrich-Str. 10
D-70372 Stuttgart
Germany

President of expansion board
Dr. Georg Hengstler

Bank details
Hypo-Altenbank, Anstalt für
Bank für Sozialwirtschaft AG
Kontokorrent
BIC: HSB2333
IBAN: DE44 2512 0510 0001 0001 0001 00

BW Bank AG, Stuttgart
BIC: BWSW333
IBAN: DE44 2512 0510 0001 0001 0001 00

QUALITY AND SAFETY

GEG Quality Association Cast Iron Water Evacuation Technology



In order to fulfil the increasing safety requirements of our partners in plumbing, trade, planning and authorities, the European cast iron pipe industry as well as suppliers of accessories founded the IZEG. IZEG and the integrated quality association GEG award a RAL quality label to cast iron drainage pipes and fittings that have passed a number of tests defined in the RAL GEG quality directives.

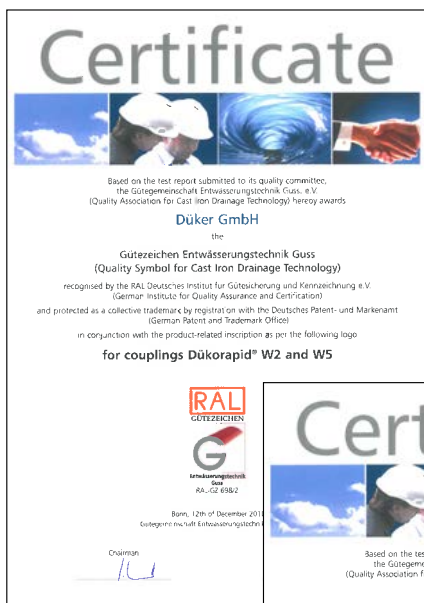
Those awarded with the RAL GEG quality label are subject to an initial test as well as regular third-party surveillance by an authorized institute. The requirements for this label are considerably higher than those of EN 877, particularly regarding the resistance of the inside coating. Unlike the CE marking, this quality label guarantees users a permanently high product quality.

In the RAL-GZ 698 document, latest issue 2014, The GEG association has laid down quality and test provisions for the following areas:

1. General quality and test provisions water evacuation technology cast iron with provisions on initial testing, internal monitoring and third party monitoring as well as documentation and marking.
2. Special quality and test provisions for cast iron drainage pipes and fittings, see tables below
3. Special quality and test provisions for couplings
4. Special quality and test provisions for cast iron drainage pipes and fittings for aggressive sewage
5. Implementing regulations for the quality seal.

The yearly third party monitoring not only targets random samples of products, but also includes a thorough control of the factory quality management system.

The special quality and test provisions for cast iron drainage pipes and fittings define requirements on product quality that are superior to those of the product standards EN 877 and DIN 19522. However, fulfillment of these superior requirements is the precondition for the awarding of the RAL quality seal Water Evacuation Technology Cast Iron.





Test Frequency of Pipes and Fittings:

Test Criteria	Internal initial type testing and production control ¹⁾		Initial test and yearly third-party monitoring ²⁾
	DIN EN 877 DIN 19522	CE	GEG
Surface condition Roughness, cavities, lumps, misalignment, burrs, unevenness of end faces	–	–	
Material Cast iron with flake graphite EN-GJL-200 (pipes) and EN-GJL-150 (fittings) as per EN 1561		–	
Dimensions and weights Outside diameter, wall thickness, sealing zones			
Admissible tolerances Lengths, straightness of pipes, angles		–	
Dry coating thickness of coatings conformity with initial test and factory standards			
Adherence of coatings			
Absence of pores and blisters in the coating			
Chemical resistance of inside coatings as per EN 877*			–
Superior chemical resistance of inside coatings as per GEG provisions*	–	–	
European classification of the reaction to fire	–	Initial test ³⁾	–

¹⁾ Initial type testing by the manufacturer; possibly voluntary additional type testing by an accredited laboratory; factory production control and product inspection by the manufacturer

²⁾ Initial test and yearly third-party monitoring by an accredited laboratory

³⁾ Initial test by a notified laboratory

* Chemical resistance tests on the inside coating of pipes and fittings:

Medium/ Solution	Concentration (N = normal solution)	pH value	Duration of test (d=days; h=hours)	Temperature in °C	EN 877 CE	GEG
Phosphoric acid	25%	1.0	72h	40		x
Acetic acid	10%	2.0	48h	25		x
Hydrogene pyroxide solution	10%	3.5	48h	25		x
Sulphuric acid		2.0	30d	23	x	x
	0.1 N	1.0	30d	50		x
Lactic acid	1%	2.0	48h	25		x
Citric acid	5%	1.5	30d	50		x
Waste water according to EN 877		7.0	30d	23	x	x
		7.0	30d	50		x
Natriumhydrogencarbonat solution		12	30d	23	x	x
	0.1 N	11.4	30d	50		x
Salt water		5.6	10d	50		x
Water (fully desalinated)		6.4	30d	50		x
Salt spray			350h	35	x	x
			1500h	35		x

QUALITY AND SAFETY

Düker Management Systems

As early as in 1993, Düker introduced a certified quality management system as per EN ISO 9001. By now, the Düker system has developed into an integrated certified management system as per

- EN ISO 9001 Quality Management
- EN ISO 14001 Environmental Management
- EN ISO 50001 Energy Management
- BS OHSAS 18001 Occupational Health and Safety Management

Sustainability Mission

Düker feels obliged to the environment as well as the economic and social needs of their staff and of society. Sustainability, an integral part of business culture and of everyday activities, is based on three pillars:

- Economy of all activities for securing and developing the company
- Social responsibility to the staff (e.g. occupational health and safety), business partners and society
- Environmental responsibility and energy efficiency as a contribution to a moderate use of all natural resources.

For the detailed Mission Statement please refer to the Düker web page.



Environmental Protection and Energy Efficiency

In 2011 Düker introduced an environmental and an energy management system as per ISO standards. For Düker, environmental protection and energy efficiency are fundamental for achieving the company goals and an important aspect of each staff member's activities. The use of energy-efficient technologies ranks high in the company. The observance of legal requirements at the place of manufacture in Karlstadt/Germany is only considered a minimum standard.

Reduction of CO₂ Emissions

At the turn of the year 2013/2014, Düker invested in a new cupola furnace in the Karlstadt works, which now melts down the cast iron for the centrifugal casting plant and the moulding plant. The new furnace is a modern hot-blast cupola furnace with long-term refractory lining. Compared to the old furnace, the CO₂ emissions are reduced by 25% with equal melting performances, with simultaneous saving of energy as well as maintenance and refractory repair expenditures.

Recycling

Grey cast iron, the material that Düker drainage pipes and fittings are made of, is 100% recyclable. Scrapped cast iron pipe systems can be processed to new cast iron pipe systems without any trouble. Furthermore, all cast iron pipes and fittings manufactured by Düker today already consist of 100% recycled cast iron. Cast iron scrap does not pose any problems in its disposal. On the contrary, it is a sought-after and expensive raw material.

For plastic materials, normally only "down cycling" is possible, as the material quality decreases significantly through recycling and does not allow to manufacture the same type of products out of the same material twice. However, the majority of plastic waste is not recycled, but is utilized thermally, which means that it is burnt.

REACH

The European chemicals regulation (EC) No. 1907/2006 (REACH) says that chemical substances may only be made available on the market within the area of validity if they were registered beforehand. This is valid from a volume of 1 ton/year. For those chemical substances that are used during manufacturing, Düker, as a so-called "downstream user", has contacted the suppliers of the substances concerned by REACH in order to ensure the registration and evaluation of those substances.

In case of a noteworthy content of SVHC substances (substances of very high concern) in a product, article 33 of the REACH regulation says that suppliers are obliged to transmit corresponding information to the client. Our drainage pipe products do not contain any substances mentioned in the candidate list in concentrations of more than 0.1 % weight by weight (w/w).

Safety Data Sheets

For all paints and coatings that Düker delivers for use on site, Düker makes the safety data sheets available on the web page www.dueker.de/SDB.

Green Building Systems

More and more new building projects in Europe are certified to one of the existing green building systems. Alongside the British BREEAM and the Swiss Minergie system, the American LEED and the German DGNB system are predominant. Outside of Europe, the Singapore Green Mark is also a well-known certification system for building projects.

Although energy saving during the operation of the building is the main aspect of most systems, other aspects are also a part of the evaluation and should be considered when selecting products for the installation systems.

Green Building systems mostly also aim at health protection, protection of water resources and ecosystems, promotion of sustainable material resources and similar aspects.

Düker SML pipes in Green Building Systems

Düker cast iron drainage pipe systems can add a positive influence to a building's environmental aspects in many ways:

1. Influence on the building environmental profile

The ecobalance of a building is the sum of the ecobalances of all building products contained in it.

In average, pipes represent 80% of a typical SML building installation, fittings 20%. For Düker SML pipes, there is an up-to-date product eco-balance, which considers the environmental aspects, e.g. CO₂ footprint, of raw material extraction and transport as well as pipe production ("cradle to gate"). Unlike some generic ecobalance documents that are available from various databases, this ecobalance offers trustworthy and exact data which can be integrated positively in the building ecobalance.

2. Dangerous and harmful substances

Furthermore, most Green Building Systems also make a point of avoiding or reducing dangerous and harmful substances. Important aspects are for example:

- heavy metals
- halogens
- SVHC as per REACH (substances of very high concern)
- volatile organic compounds VOC

Düker drainage pipe systems are in no way problematic with regard to these substances. Heavy metals, halogens and SVHC are contained neither in the material cast iron nor in the formulations of the various Düker pipe and fitting coatings in relevant quantities. VOC are on principle contained in the solvents of the coatings before and during application; however on the finished pipes and fittings, these coatings are completely hardened and no longer emit any VOC to the air inside the buildings where they are installed.

ENVIRONMENTAL PROTECTION

LEED

The product ecobalance and all other required information for Düker SML drainage pipes have been collected in a LEED Sustainability Data Sheet and are available on the Düker website.

Düker SML can contribute to many aspects of a LEED certification:

LEED v3 2009, EQ Credit 4.2 and 4.1: volatile organic compounds

At present, LEED v3 2009 is still widely used. It states only one concrete requirement for construction products for sanitary installations: the observance of limit values for volatile organic compounds (VOC).

The inside and outside coatings of Düker drainage pipes and fittings are completely hardened when arriving at the building site and therefore do not emit any volatile organic compounds (VOC) during installation and during the building's operation.

LEED v4 2013: Construction waste management

Any recyclable waste during the construction period should be recycled to as high a degree as possible. Waste from cast iron pipelines is apt to increase the recycling rate as it is accepted without problems by all waste collection centres and normally is even paid for.

LEED v4 2013: Percentage of recycled materials

This aspect aims at high percentages of construction products that are manufactured from recycled material. As Düker SML is manufactured from practically 100% recycling material, it can easily contribute to this requirement.

LEED v4 2013: Acoustic protection

The aim is to observe acoustic protection targets. In order to avoid noise coming from drainage pipelines, Düker SML is the best choice (see pages 32 to 34).

DGNB (Deutsche Gesellschaft für Nachhaltiges Bauen – German Society for Sustainable Construction)

Also for DGNB, a corresponding DGNB Sustainability Data Sheet is available on the Düker website.

Singapore Green Mark

Regarding the selection of construction products, the Singapore Green mark for building projects relies heavily on product certificates.



Düker SML and MLK-protec have each obtained a “Singapore Green Building Product Certificate” with the rating “good”. In order to obtain this certificate, the products had to be evaluated regarding their environmental aspects during the whole life cycle. Based on the international standard ISO 14020, The Singapore Green Building Council SGBC evaluates aspects such as the efficiency in energy and water consumption as well as other resources, and the environmental and CO₂ pollution, both during manufacture and during use of the construction product.



The Material Features

Düker drainage pipe systems are manufactured of grey cast iron GG according to EN 1561 - type at least EN-GJL-150 (formerly GG 15 according to DIN 1691) which means an iron and carbon alloy with high graphite content which is integrated in lamella form and finely distributed within the metallic base compound. This Düker-typical crystalline structure gives the material high strength, wear and temperature resistance, excellent corrosion resistance, and a very high damping capacity. Düker SML drainage pipe systems distinguish themselves by robustness, durability, fire resistance and silent operation – even without special insulation or soundproofing.

Interior Coating Resistance of Düker SML Pipes for Domestic Applications with Discontinuous Use

	up to 23 °C	up to 50 °C	up to 80 °C
pH 0			
pH 1 (except organic acids)			
pH 2 (except organic acids)			
lime-dissolving substances ¹			
cleaning products			
detergents			
disinfectants			
stain removers			
oxidants			
water, salts			
drain clearing products			
solvents			
pH 12			
pH 13			
pH 14			

EN 877

requirements of EN 877
 resistance exceeding EN 877

Material Characteristics

DENSITY:

Approx. 7.2 kg/dm³ (71.5 KN/m³)

MINIMUM TENSILE STRENGTH:

150 MPa for fittings,
200 MPa for pipes

COMPRESSIVE STRENGTH:

Approx. 3 to 4 times the value of the minimum tensile strength

SHEARING STRENGTH:

1.1 to 1.6 times the value of the minimum tensile strength

CRUSHING STRENGTH:

350 MPa (for DN < 250)
or 332 MPa (for DN ≥ 250)

POISSON'S NUMBER: 0.3

COEFFICIENT OF LENGTH

EXPANSION:
0.0105 mm/mK
(between 0° and 100 °C)

THERMAL CONDUCTION COEFFICIENT:

50 - 60 W/mK (at 20°C)

MODULUS OF ELASTICITY:

8 x 10⁴ to 12 x 10⁴ N/mm²

CHEMICAL RESISTANCE:

For use with domestic effluents within a range of pH 2 - pH 12. Well above the values required by EN 877.

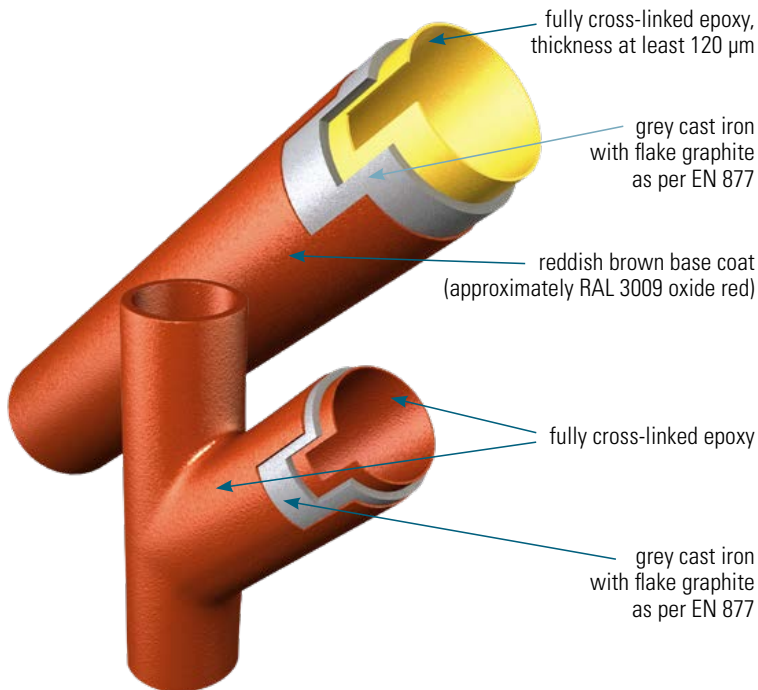
For non-domestic applications and for aggressive waste water we recommend to consult with Düker and where applicable to use a different coating such as Düker MLK-protect.

COATINGS AND LININGS

SML Coatings

The SML drainage pipes are coated with a reddish brown base coat on the outside according to the current standard. On the inside, the pipes are provided with a permanent cross-linked epoxy coating which distinguishes itself by high resistance against chemical and mechanical influences. The features of this high-quality coating go beyond the requirements of EN 877. This particularly protects Düker SML drainage pipe systems against domestic effluents which are becoming increasingly aggressive.

The Düker hot permanent mould centrifugal casting process used in the production of our pipes guarantees extremely smooth inside surfaces – the ideal basis for a uniform, blister-free interior coating with fully cross-linked, elastic epoxy material.

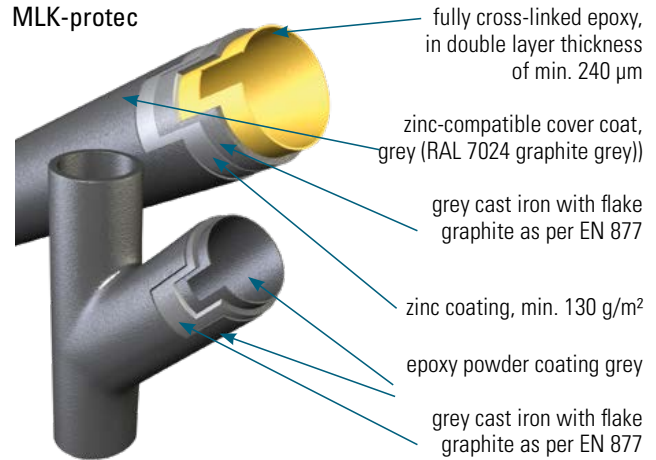


DN 50 up to DN 300 / 400

Application: domestic sewage and rain water drainage inside buildings and on outside walls of buildings.

Further Coating Versions

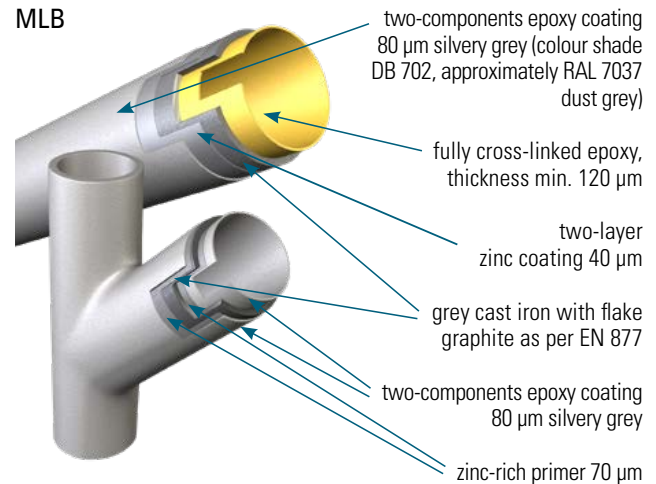
MLK-protec



DN 50 up to DN 400

Application: aggressive domestic sewage inside and outside of buildings and in underground installation, e.g. grease-containing sewage from canteen kitchens

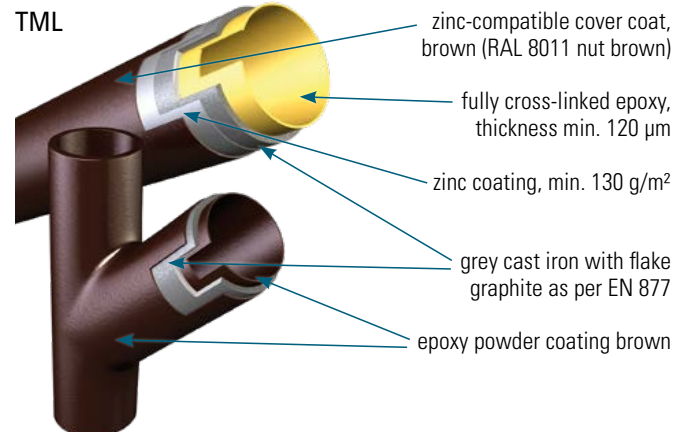
MLB



DN 100 up to DN 500 / 600

Application: Rain water drainage for bridges; also suitable for underground installation.

TML



DN 100 up to DN 200

Application: domestic sewage and rain water drainage in underground installation

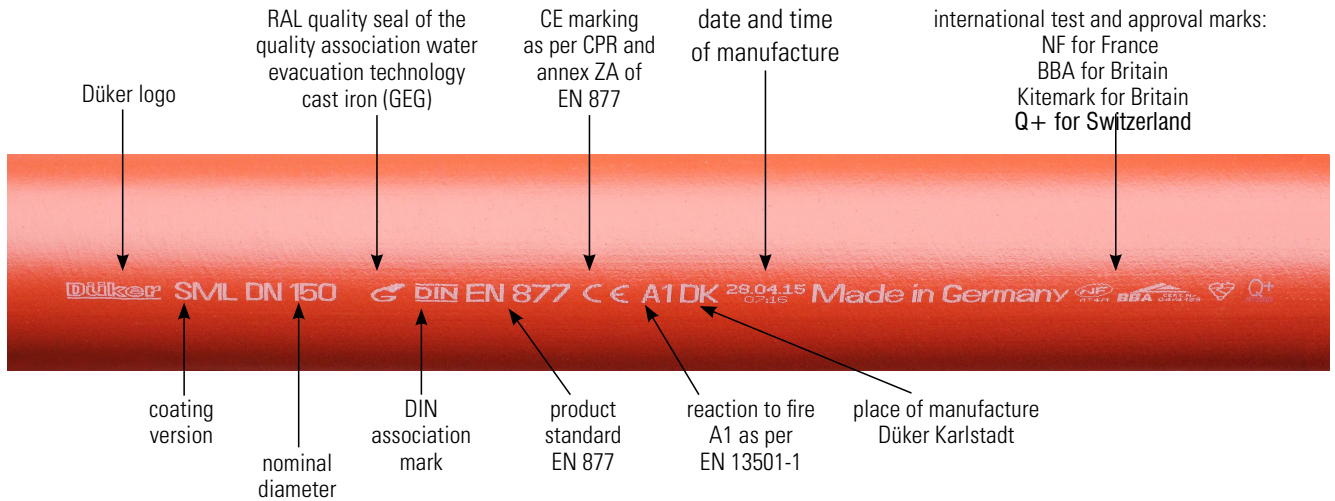


Marking of Pipes and Fittings

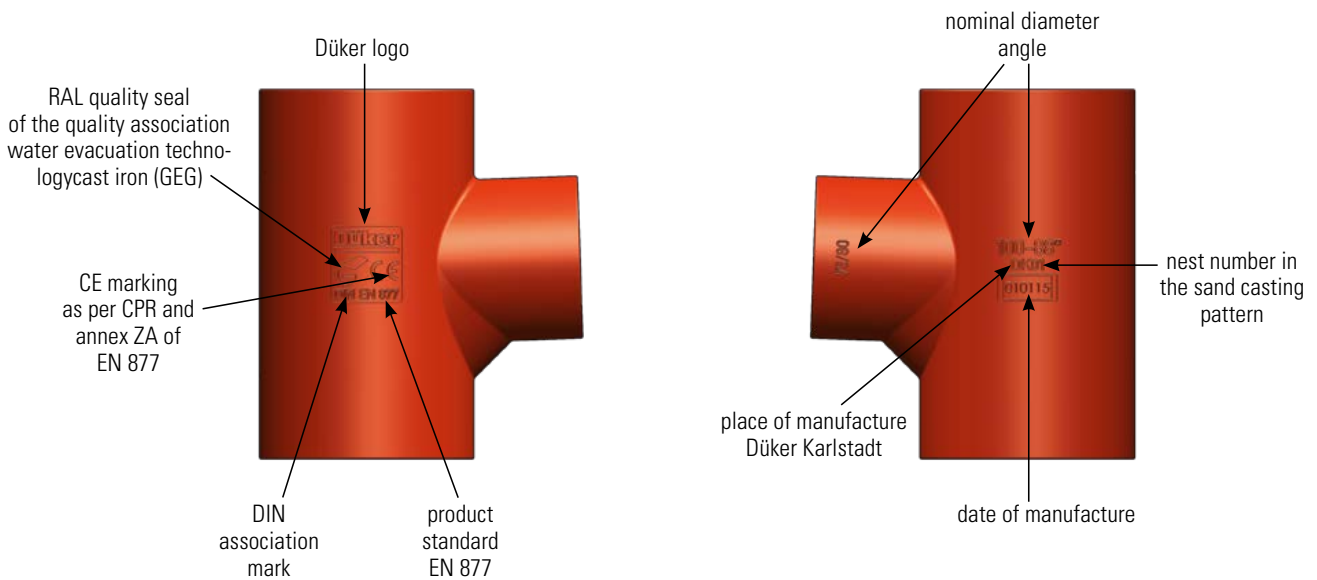
Düker SML pipes and fittings are supplied with an informative marking, which on the one hand fulfills all standard requirements, and on the other hand allows to backtrack the product and its manufacture in the QM documentation. Furthermore, various test

and approval marks provide information on further, voluntary approvals, each of which involves regular factory audits.

Pipe Marking



Fitting Marking



MANUFACTURE

Manufacture

Düker SML pipes and fittings are manufactured entirely in the Düker works in 97753 Karlstadt, Northern Bavaria / Germany following the superior RAL-GEG quality criteria.

For the special versions MLK-protec, TML and MLB, the raw castings are also manufactured in the Karlstadt works, whereas part of the coatings, in particular the zinc coatings, are applied by a local service-provider.

Melting Shop

As the first step, cast iron (scrap material) is melted down in the hot-blast cupola furnace. Regular spectral analyses and, where necessary, dosing of alloy components ensure the permanent superior quality of the grey cast iron material.



Melting shop: Withdrawal of liquid iron from the collector



Moulding plant: pouring into the sand moulds

Fittings Manufacture

Düker fittings are manufactured in the sand casting procedure. For each single casting, the pattern is used to shape a sand mould (for the outside contour of the fitting) and a sand core (for the inside contour of the fitting). The pouring is done in the moulding plant.

The fittings then undergo shotblasting and grinding, and finally coating.



Pipe Manufacture

Düker SML pipes are manufactured on a centrifugal casting plant - developed by Düker - in the so-called hot-mould centrifugal casting process. This results in the typical, extremely smooth inside surfaces as well as lightly structured outside surfaces of Düker pipes. The machining and SML-coating plants are linked directly to the casting plant.

Pipes that are intended for other coatings are withdrawn after leaving the machining plant and coated separately.



Centrifugal casting plant: pouring into the rotating pipe moulds



Karlstadt facility

Couplings

The Dükorapid® metal collars are manufactured by a German subcontractor based on patterns owned by Düker. Subsequently they are assembled with bolts, nuts and sealing collars and packed in local social enterprises.

The quality control is carried out in the Düker goods receiving department in the Karlstadt works.

Fire Protection

Cast Iron Benefit: Non-Combustibility

The term „reaction to fire“ describes how much heat, smoke etc. a building product contributes to a fire.

Düker SML pipes and fittings have been tested against

- EN 13823 Reaction to fire tests for building products; Single Burning Item Test (SBI Test)
- EN ISO 1716 Fire technical testing of building products – Determination of calorific potential.

Based on the results of these tests, the Düker SML pipe system was classified as per EN 13501-1 Fire classification of construction products and building elements - Part 1: Classification using data from reaction to fire tests

The Düker SML pipe system has been certified to correspond to A1 non-combustible.

A1 is the best existing reaction to fire classification as per EN 13501-1. For A1, the further criteria s (for smoke generation) and d (for flaming droplets) do not apply.

Düker MLK-protec, TML and MLB correspond to A2, s1, d0 „non-combustible“.

Düker SML corresponds to A1“non-combustible“

Düker drainage pipe systems are certified to correspond to EN 877. Annex F of EN 877 says that

Cast iron products in accordance with this European Standard are non-flammable and non-combustible. When exposed to fire they will maintain their functional characteristics and integrity for several hours, i.e. their walls will remain impervious to flames and gases and there will be no fracture, collapse or significant deformation. The integrity of connections through walls and ceilings is maintained.

For comparison: plastic pipe systems are combustible. Their reaction to fire classification as per EN 13501-1 may vary, it can be e.g. „D, s2, d1“ or „E“.

PE-HD corresponds to E “normally inflammable“

Cast Iron Benefit: Clear European Classification!

Even if, in Europe, in the long run only the European classification as per EN 13501-1 will be valid, most older national classifications may still be used at present. As the “old” classifications of plastic pipes are better known, simpler and, at first glance, often more positive than the European classification, most plastic pipe manufacturers do not yet publish their classification as per EN 13501-1.

In this table you will find the approximate correspondence between the new European classification and some older national classifications:

Reaction to fire EN 13501-1			former national classifications			
			Germany	France	Italy	UK
A1	s1	d0	A	–	I	limited combustibility
A2				M0		
A2	s1	d1 d2	B1	M1	II	0
A2	s2 s3	d0 d1 d2				
B	s1 s2 s3	d0 d1 d2				
C	s1 s2 s3	d0 d1 d2	B2	M2	III	1
D	s1 s2 s3	d0 d1 d2		M3	4	
E	d2	M4		3		
F			B3			

Most classifications consist of:

A-F for the reaction to fire

s1 – s3 for smoke generation

d0 – d2 for the formation or the degree of flaming droplets

Exceptions:

A1 is always without values for „s“ and „d“, as it is assumed that these construction products do not represent any hazard regarding these criteria.

E is always without values for „s“ and mostly without „d“, as no demands are made. It is automatically assumed that heavy smoke generation and flaming droplets occur. The additional classification d2 is only applied in case of massive flaming droplets.

F is always without values for „s“ and „d“ as no demands are made. For construction products this classification is normally not admissible.



Cast Iron Benefit: No Flashover

Annex A of EN 13501-1 contains some interesting background information on the classification of reaction to fire. The test procedures are based on considerations of the typical phases of a fire in a room.

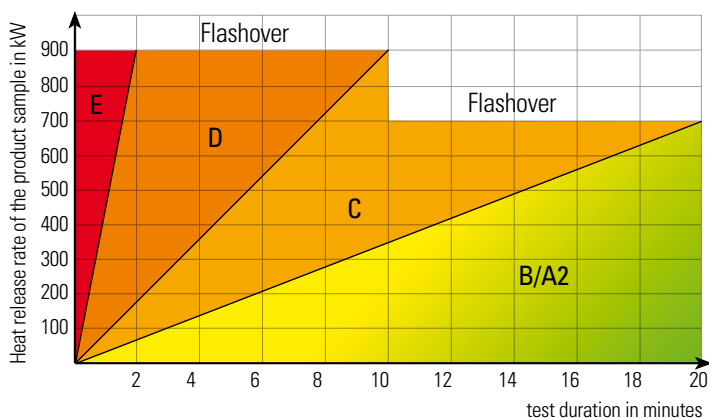
At first there is only a small-scale fire, e.g. imagine a plastic cable trunking ignited by a cable fire. In the following, the fire spreads, as yet relatively slowly, to combustible materials in close proximity – e.g. along the trunking. In this phase more and more smoke is generated, and the heat radiation increases continuously.

When the heat release surpasses a certain limit (in general a thermal flow density of 15 to 20 kW/m² or a smoke temperature of 500 to 600 °C), all neighbouring combustible materials will ignite in a sudden burst. This is the so-called flashover, the borderline between a beginning fire and a fully developed fire in a room. Before the flashover, a person has a good chance of moving in the room, e.g. close to the floor, and of escape. After the flashover the odds decline rapidly.

The tests as per EN 13501-1 result in a „FIGRA“ (fire growth rate) value, which serves to evaluate if and how fast the construction product in question provokes a flashover. The reaction to fire classes can be described as follows:

- A1 no contribution to the development of a fire
- A2, B no flashover, or flashover after 20 minutes and more
- C Flashover after 10 – 20 minutes
- D Flashover after 2 – 10 minutes
- E Flashover after under 2 minutes
- F no performance determined

In order to differentiate the various performances, the test duration is 20 minutes.



Cast Iron Benefit: Little Smoke Generation

If installed with couplings whose rubber gaskets are completely covered by stainless steel collars (e.g. Dükorapid®), the pipe system remains closed in case of fire. Any smoke generated by heat effects on the inner coating remains in the pipeline and is then evacuated through the ventilation openings over the roof.

For comparison: 10 kg of polyethylene (PE) or polypropylene (PP) (approx. 7.5 meters of pipe) generate approx. 23,000 m³ of poisonous smoke consisting of carbon monoxide, carbon dioxide and soot. With that quantity, 100 large apartments with 100 m² each can be filled with enough smoke to leave the inhabitants no chance of survival.*

taken from Bernd Prümer „Brandschutz in der Haustechnik Gantner Verlag

PVC with its content in chlorine additionally forms highly corrosive fumes and liquids containing hydrochloric acid when in contact with humidity or water (e.g. firefighting water). These corrosive fumes can also cause problems in the disposal of PVC wastes in incineration plants.

European Construction Products Regulation (CPR)

Annex 1 of the CPR formulates basic requirements for construction works, also regarding fire protection:

“The construction works must be designed and built in such a way that in the event of an outbreak of fire:

- (a) the load-bearing capacity of the construction can be assumed for a specific period of time;
- (b) the generation and spread of fire and smoke within the construction works are limited;
- (c) the spread of fire to neighbouring construction works is limited;
- (d) occupants can leave the construction works or be rescued by other means;
- (e) the safety of rescue teams is taken into consideration.”

National Building Codes

National or even regional or local building codes will define how to implement the basic fire safety rules that are to be found in the CPR.

In most countries, buildings are classified according to their size and use. Depending on the building class, the necessary minimum fire resistance of walls and ceilings will be stipulated.

Resistance to Fire of Ceilings and Walls

Ceilings and walls, being load-bearing elements, will be classified as per EN 13501-2 as follows:

- R load bearing capacity
(capacity to withstand fire exposure on one or both sides without losing the structural ability)
- E integrity
(capacity to remain intact in case of fire exposure on one side so fire and hot gas does not penetrate to the other side)
- I insulation
(capacity to maintain a non-critical temperature on the unexposed side of the building element)

A ceiling or wall fulfilling all these criteria for e.g. 30 minutes will be classified REI 30. EN 13501-2 allows for the following levels: 10, 15, 20, 30, 45, 60, 90, 120, 180, 240 or 360.

The most common wall and ceiling classifications in Europe are REI 30, REI 90 and REI 120. In some countries, REI 180 and REI 240 are required for certain buildings and constellations.

The European system of fire resistance classifications is a standardization of various existing national classifications for walls and ceilings. We are presently in a transitory phase where both national and European classifications are valid.

In most countries the “national” fire resistance classification is simply expressed in durations, without the letters “REI”. In Germany, the fire resistance of ceilings and walls was and still is expressed with the letter “F”: F30, F60, F90.

Resistance to Fire of Pipe Penetrations

When installed in a building, all water, sewage, heating, gas, ventilation or electric lines will have to penetrate ceilings and walls with a fire resistance requirement.

However, penetrations through ceilings and walls are only allowed if the fire resistance of the ceiling or wall is not impaired.

Therefore, pipe penetrations must have at least the same fire resistance duration as the ceiling or wall.

Not being load-bearing elements, pipe penetrations will not be classified according to the “R” criterion described on the left. Pipe penetrations will be classified as per:

E integrity

I insulation

A pipe penetration fulfilling both criteria for e.g. 30 minutes will be classified EI 30.

In order to penetrate a fire-rated wall or ceiling, the EI classification of the pipe penetration must have at least the same duration as the required REI classification of the wall or ceiling. E.G. for an REI 30 wall, you can use a EI 30, EI 60, EI 90 or EI 120 pipe penetration.

The penetration seal need not be supplied by the manufacturer of the pipe system. On the contrary, there are manufacturers who have specialized in the supply of insulation seals for certain pipe types (e.g. Rockwool, Doyma, Bis Walraven, BTI, Missel etc.)



Reaction to fire – Fire Resistance

The term „reaction to fire“ describes how much heat, smoke etc. a building product contributes to a fire in a room.

The term “fire resistance” indicates how well and how long a building component can hold back the fire and prevent it from penetrating from one room to another.

Note: In general, resistance to fire is not a characteristic of a pipe system. It is a characteristic of a pipe penetration, i.e. a certain way of installing a pipe through a wall or a ceiling, possibly with a special penetration seal.

Testing of the Resistance to Fire of Pipe Penetrations

Throughout Europe, tests for fire resistance of pipe penetrations are based on the test standard EN 1366-3.

Pipes are installed in a furnace, with penetrations through the ceiling and/or the wall of the furnace. With gas or fuel burners, the furnace is heated to a temperature of approx. 1000 °C. The standard requires a certain temperature curve and pressure to be maintained.

The test institute staff control

E integrity
by observation. Flames and smoke may not exit through the pipe penetration.

I insulation
by temperature sensors in defined places on the ceiling and the pipe outside the furnace.
The temperature outside may rise by no more than 180°C peak value and no more than 140°C average value.

duration:

the duration until one or both criteria is no longer within the limits allowed.

The test institute will then issue a test report. With this test report, the manufacturer of the penetration solution can apply for an official approval document.

Approval Documents for Resistance to Fire of Pipe Penetrations

Although all fire tests for pipe penetrations throughout Europe are nowadays based on EN 1366-3, the approval document issued may vary.

National classification and approval systems for fire resistance of pipe penetrations are still widespread. In Germany, penetrations are classified with the letter “R” (R30, R90) and can be used on the basis of approval documents called abP or abZ. In France, the best-known approval document is a so-called “PV”. Similar document systems exist in other European countries.

There is also a European approval document for pipe penetrations, the ETA (European Technical Approval). An ETA is the only document that allows a construction product for pipe penetrations to be marked with the “CE” logo. However, a CE logo for penetrations is not yet required.

The transition from national approval documents to the European ETA is very difficult, as the customary national documents vary enormously in content and form. German abP and abZ, for example, are extremely detailed and describe the possibilities of use for a penetration seal in practice with many conditions and limits, whereas a French P.V. only describes the test that was done without detailing the actual application on site.

The required content of an ETA is still under discussion. At present few ETA documents for pipe penetrations exist in Europe, and the work on new ETA is being delayed. Therefore the national documents are still the preferred solution for most specifiers and plumbers.

German MLAR Regulations

Cast iron pipes have been used in buildings for centuries. Building owners, specifiers, plumbers, fire fighters and insurances have a vast positive experience with cast iron pipe installations through fire-rated walls and ceilings.

The "I" criterion for insulation is a relatively new criterion for pipe penetrations. Heat transfer is a normal behaviour for all metal pipes, especially upwards. If an elevated EI rating is officially required, special measures have to be taken to reduce the heat transfer through metal pipe systems. The "I" criterion was introduced because of the consideration that excessive heat that is transferred to the unexposed side of a wall or ceiling might ignite combustible materials, e.g. a plastic pipe, that are in proximity.

However, this phenomenon of a cast iron pipe igniting a neighbouring plastic pipe only through heat transfer, has never been documented in actual structure fires.

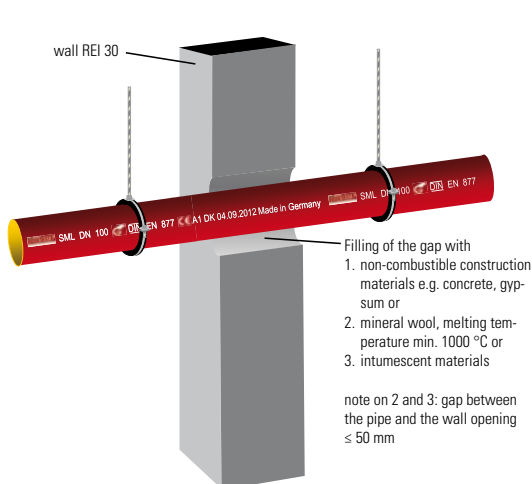
Based on this experience, the German national building code for pipe and cable installations MLAR defines situations where the

heat transfer through metal pipes can be ignored. On some of these solutions, the MLAR prescribes certain distances to combustible installations for added safety. For the solutions on this page no approval document is required.

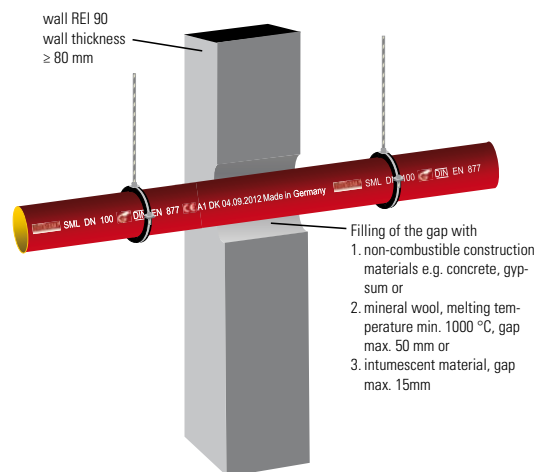
On all these solutions, it is only necessary to fill the gap between the pipe and the wall/ceiling with a non-combustible material as follows:

- mineral wool, fusion temperature min. 1,000 °C; stuffed by hand with approx. 90 kg/m³, or by laying a mineral wool mattress or shell around the pipe. We recommend a layer thickness of approx. 2 cm. Supplier e.g. Rockwool.
- intumescent material, i.e. a material that multiplies its volume rapidly in case of a fire. Supplier e.g. Missel.
- the remaining gap between mineral wool or intumescent material and the wall/ceiling must be closed with cement mortar, concrete or gypsum.
- cement mortar, concrete or gypsum can also be used without mineral wool or intumescent material. However, this is normally not recommendable for acoustic protection reasons.

MLAR Pipe penetrations through walls up to REI 30 for all pipe diameters



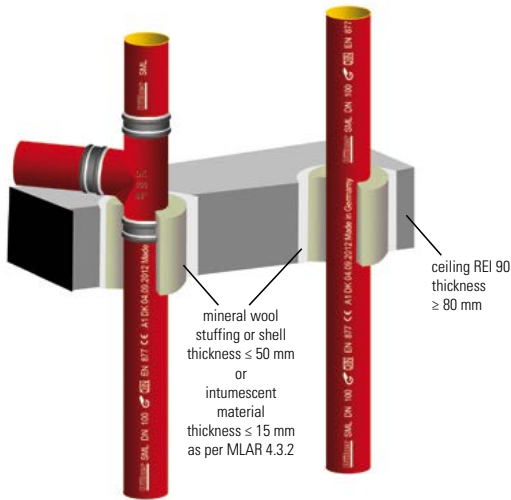
MLAR Pipe penetrations through walls up to REI 90 DN 50 – DN 150



No minimum distances to other pipe installations are defined for this solution.

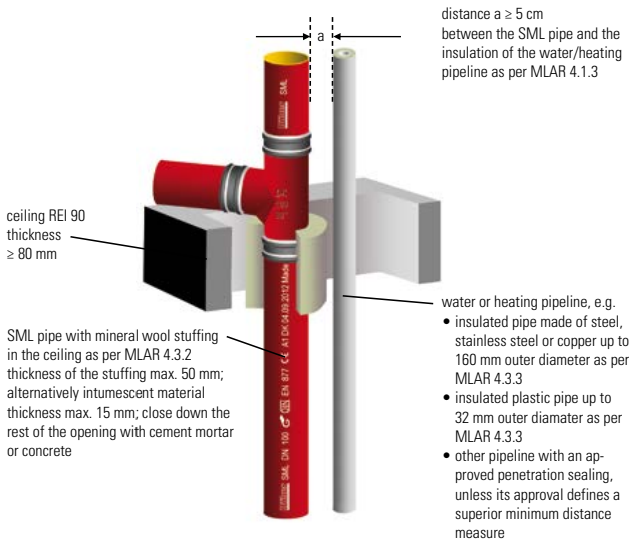


MLAR Pipe penetrations through ceilings up to REI 90 DN 50 – DN 150



Minimum distance to water/heating pipelines:

For the MLAR REI 90 solutions for wall or ceiling, if a water or heating pipeline is to be installed parallel close by, we recommend the following solution:



Please consider a 5 cm distance to non-combustible pipes or other pipes with non-combustible insulation on at least 50 cm length.

For other pipes without insulation or with combustible insulation, please consider the outside diameter of the cast iron pipe as the minimum distance.

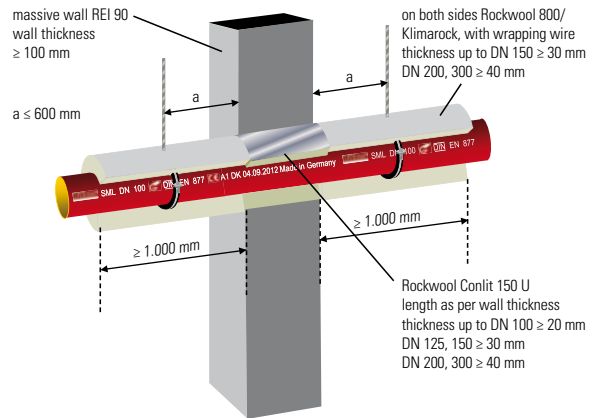
APPROVED SOLUTIONS

Solutions with Approval Documents

The following penetration seals have been tested against EN 1366-3 and have received an approval document for EI 30. Approved solutions prevent not only the spreading of fire, but also any heat transfer that surpasses the prescribed limits.

Approved Solution for Walls up to REI 90 (example)

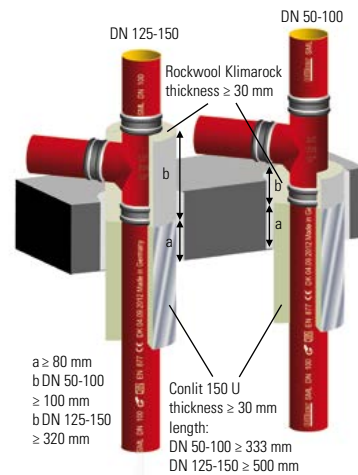
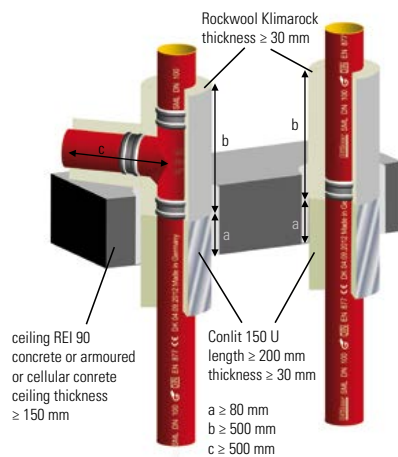
Rockwool 800 / Rockwool Klimarock
EI 90 for SML DN 50 up to DN 300
German approval abP P-3725/4130-MPA



Distances to other Rockwool approvals: no minimum distance required.

Approved Solutions for Ceilings up to REI 90 (examples)

Rockwool Conlit and Klimarock
EI 90 for SML DN 50 up to DN 150
German approval abP P-3725/4130-MPA BS



Distances to other Rockwool approvals: no minimum distance required.

These penetration seals can be installed in a tapping drill hole of the correct size without applying concrete or mortar. In larger openings, the remaining gap between the mineral wool and the wall/ceiling needs to be closed down with concrete or cement mortar.



The Special Case of Mixed Installations

For building drainage in Germany and other European countries, plumbers sometimes apply so-called mixed installations: cast iron down pipes, and plastic horizontal connecting pipes.

Although there are no discernible technical advantages to this material combination, there is a strong preference for this kind of installation particularly in blocks of flats and similar buildings in Germany.

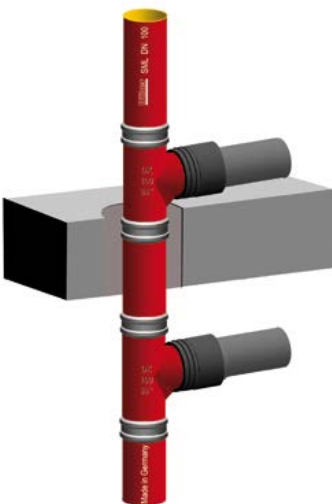
However, German authorities have recognized that this combination of combustible and non-combustible materials in one drainage pipe installation shows particular risks in case of a fire, with the plastic pipes being the weakest "chain link". When installed with the fire penetration seals that are approved for cast iron pipe installations, the insufficient heat resistance of the plastic pipes may cause a fire flashover.

Therefore, since 2013, specially approved penetration seal solutions need to be installed on mixed installations in Germany.

What is a Mixed Installation?

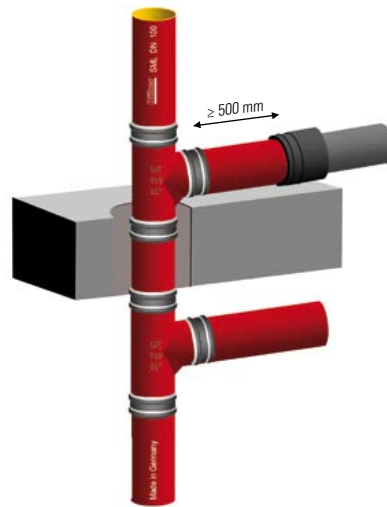
Typical mixed installation –
special penetration seal required in Germany
(see following pages)

Down pipe and branch in the downpipe made of cast iron
plastic pipe connected direct to the branch



No typical mixed installation

Normal solutions of pages 24 to 26 can be applied
min. 50 cm cast iron in the horizontal line



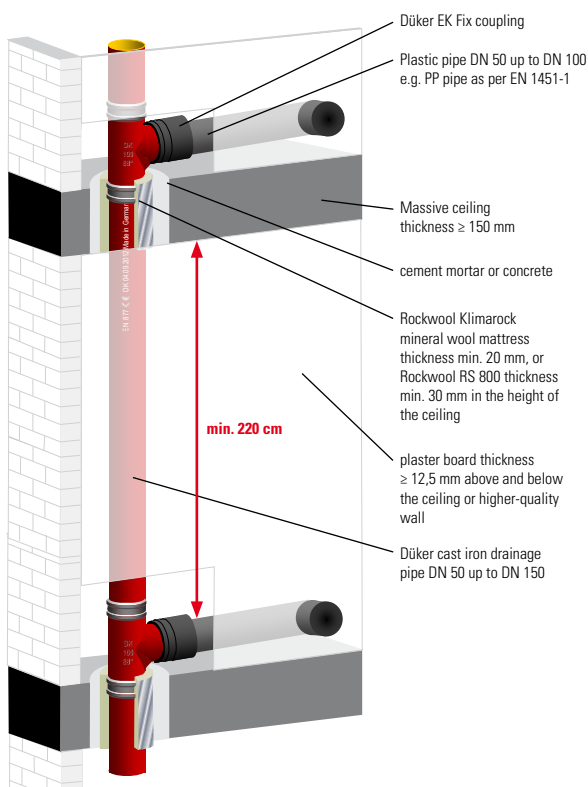
MIXED INSTALLATION

German Approved Solutions for Mixed Installation

Although fire protection is much easier on pure cast iron installations, and although we do not recommend mixed installations, we will show you some approved fire protection solutions for mixed installations in the following:

Düker DBS System

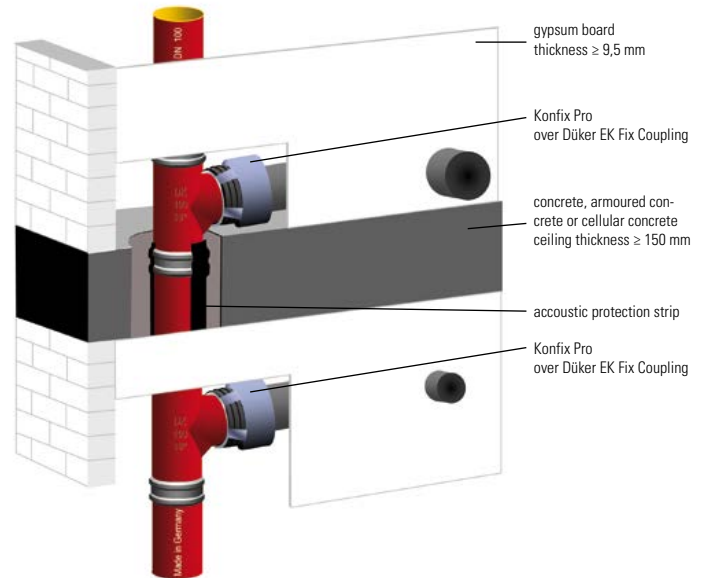
EI90 for vertical ceiling penetrations of mixed installations
 cast iron pipe DN 50 up to DN 150
 German approval abG DIBt Z-19.53-2277



This recent solution proves that mixed installation is not as risky as many experts thought. Under the condition that the horizontal plastic pipe connections are relatively close to the ground, no special penetration seal is required. Here we only use a 20 mm layer of mineral wool mattress around the pipe in the ceiling. The mineral wool at the same time serves for acoustic insulation.

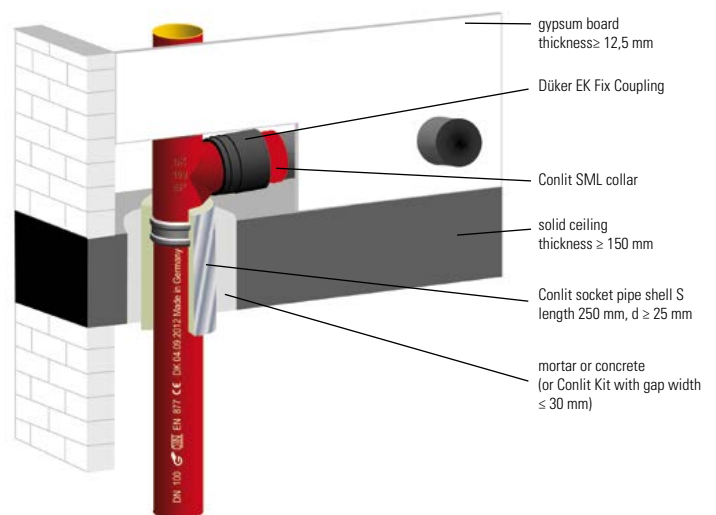
Doyma Curaflam® Konfix Pro

EI90 for vertical ceiling perforations with mixed installations
 cast iron pipe up to DN 150
 connecting pipe DN 50 up to DN 100
 German approval abZ DIBt Z.19.17-2074



Rockwool

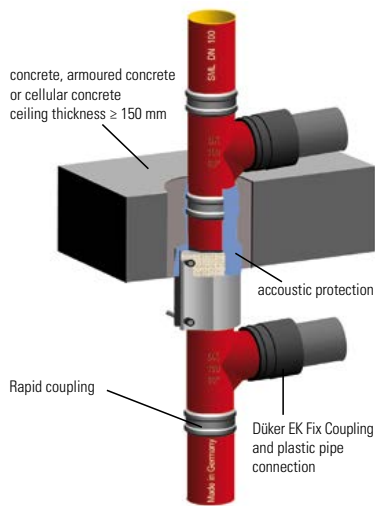
EI 90 for vertical ceiling perforations with mixed installations
 cast iron pipe up to DN 150
 connecting pipe up to DN 100
 German approval abZ DIBt Z.19.17-2084





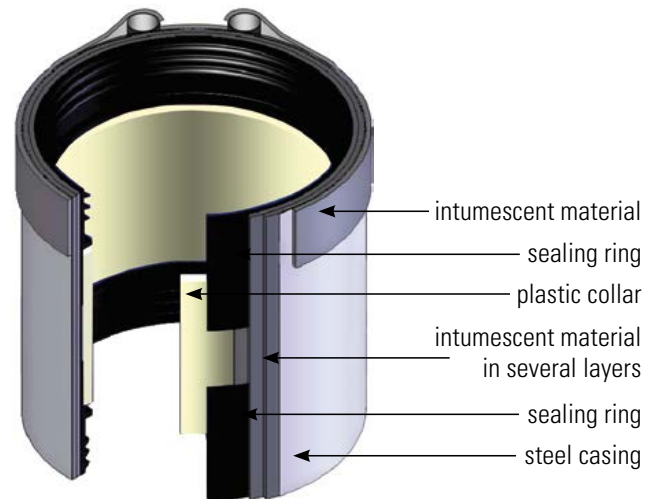
Düker Fire Protection Coupling BSV 90

EI90 for vertical ceiling penetrations of mixed installations
 cast iron pipe DN 80 up to DN 150
 German approval abZ DIBt Z.19.17-1893
 French PV 14-A-082 for EI 240
European classification document EI 90 available



The BSV 90 must be installed below the ceiling, with the upper 20 to 40 mm protruding into the ceiling.

Please note: although the BSV 90 was developed for typical mixed installations, it can also be used for pure cast iron installations. However, for pure cast iron installations we recommend the simpler solutions shown on pages 24 to 26.



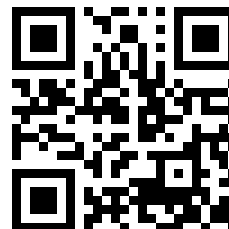
The BSV90 can be used for cases, where the plastic pipe connection is placed closer to the ceiling than required for the DBS system.

Inside the coupling, the cast iron pipeline is interrupted by a plastic collar. Around that collar, the coupling contains intumescent material, which increases its volume enormously when subjected to heat.

In case of a fire, the heat transmitted through the cast iron pipeline makes the plastic melt away and at the same time makes the intumescent material expand, so the pipe diameter is closed down. The expanded material ensures thermal insulation – and therefore prevents excessive heat transmission - and prevents any possible chimney effect.

Another strip of intumescent material on the outside of the coupling closes down the gap between the pipe and the wall perforation, so a standard combustible PE noise insulation of up to 5 mm thickness can be used.

The Düker fire protection coupling, thanks to its inferior outside diameter and height, hardly impairs the pipeline shape. A branch above the ceiling can be placed just as low as if there was no fire-rated sealing.



For installation instructions, please consult www.dueker.de.

A film on the installation is to be found here: www.dueker.de/film

PIPELINES INSTALLED IN ESCAPE AND EMERGENCY ROUTES

Pipelines within Escape and Emergency Routes

The national building codes will also provide for escape and emergency routes within buildings. For example, German MBO says that the installation of pipes and cables within escape and emergency routes is only admissible if the use of the relevant gangways or stairways in case of a fire is possible for a sufficient length of time.

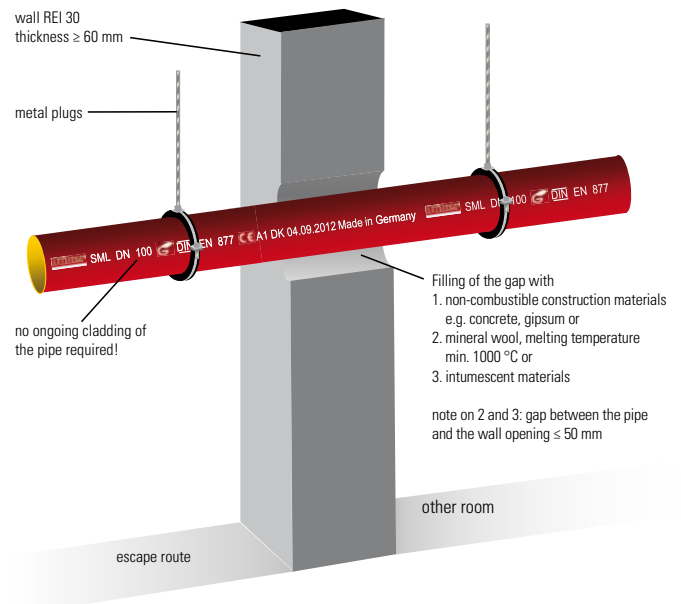
The same MBO allows for cast iron drainage pipe installations to be installed without any cladding or insulation in escape routes. It is also admissible that connections and sealants consist of combustible materials (e.g. rubber), and combustible pipe coatings up to 0.5 mm thickness are allowed. All Düker cast iron drainage pipe systems are covered by these clauses.

If insulations are used, they must be of non-combustible material. The fixing of pipelines to the wall or ceiling must be carried out with metal plugs.

For comparison: combustible pipes must be installed behind claddings such as plastered installation slits, false ceilings, false floors or similar.

Penetrations through Walls of Escape and Emergency Routes

On principle all solutions of the previous pages may be used if the fire resistance is sufficient. Below please find an example as per German MLAR regulations (see page 24)



Acoustic Protection



TEST CERTIFICATE

Düker Cast Iron Pipe Systems and Acoustic Protection

Annex F of EN 877 says:

Cast iron pipe systems due to their high mass per unit area of their pipe walls as well as the joint design characteristics provide considerable noise reduction benefits when evacuating waste water within buildings. As a rule additional protection is therefore not required.

Levels of Acoustic Protection

German standards define the maximum admissible noise level from water and waste water installations as follows:

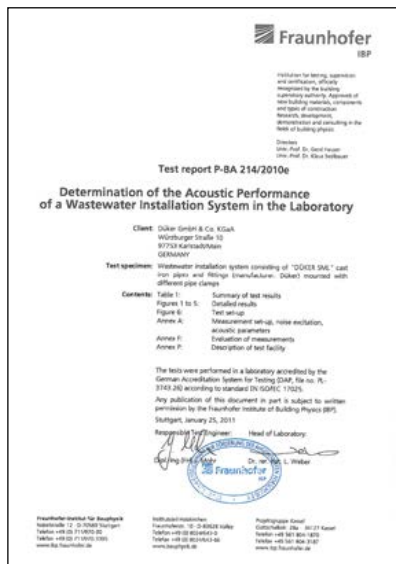
- up to 30 dB(A) in living rooms and bedrooms
- up to 35 dB(A) in classrooms and workrooms

note: these values apply only to neighbouring apartments, never to the apartment where the noise originates.

This standard noise protection should be no problem for correctly installed SML pipe systems. In order to observe elevated sound damping requirements, e.g. 5 dB(A) lower than the standard values, the whole building structure should be checked. The actual noise level will depend largely on correct installation, but also on the water quantities and on the density of walls and ceilings. However, cast iron drainage pipes are at present the drainage pipes best suited for noise-damping.

Test Certificates

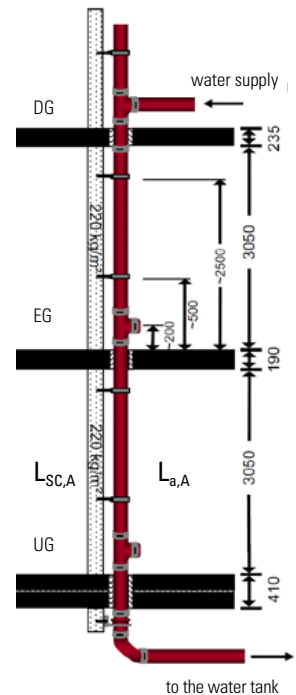
Up-to-date noise level tests for drainage pipes should be based on EN 14366 2005-02 "Laboratory measurement of noise from waste water installations".



This standard fixes the procedures for the laboratory measurement of airborne and structure-borne sound caused by waste water and rain water installations. The standard is applicable to waste water pipelines systems and their components, but not to the waste water sources (WCs, bathtubs etc.). The pipelines may be of all commonly used materials and diameters. The results can be used for the comparison of products and materials and for an estimation of the behaviour of waste water systems in a building under certain circumstances.

The standard EN 14366 gives details on the construction of the pipeline: a vertical stack over three storeys, fixed to a wall with a surface weight of 220 kg/m². In every storey, a branch is installed in the stack, and usually closed with a plug. Below the basement, there is a change of direction to a horizontal line. The pipeline must be fixed as per the state of the art; the ceiling perforations must be closed. The measurement is made with flow rates of 0.5, 1.0, 2.0 and 4.0 l/s.

Test certificates as per EN 14366 state various noise levels. While in Germany the installation sound level L_{ln} measured in the rear of the lower storey as per DIN 4109 is the only value that is of any real interest, the European standard EN 14366 gives two separate values for airborne sound and structure-borne sound. Airborne sound is measured in the room where the pipeline is installed, structure-borne sound is measured on the other side of the wall to which the pipeline is fixed.



With certificate No. P-BA 214/2010 of January 2011, the Fraunhofer Institute in Stuttgart tested the Düker SML drainage pipe system with various pipe bracket systems.

	Airborne sound pressure level		Structure-borne sound characteristic level	
Flow rate	2.0 l/s	4.0 l/s	2.0 l/s	4.0 l/s
pipe brackets with rubber insert	45 dB(A)	48 dB(A)	19 dB(A)	24 dB(A)
pipe brackets with acoustic decoupler	44 dB(A)	48 dB(A)	<10 dB(A)	11 dB(A)

At 2.0 l/s - this corresponds more or less to a toilet flush - Düker SML with optimum fixing technology is below 10 dB(A), that is quieter than falling snow!

Measures to Obtain or Improve the Acoustic Protection

Structure-borne sound

In order to avoid structure-borne sound, contact to the masonry must be avoided:

- the pipe system should not touch walls or ceilings at any point. Wall or ceiling penetrations should be closed with non-combustible mineral wool. Shafts should be stuffed with mineral wool or be lined with noise-absorbing material.
- fixing brackets should be rubber-lined. When closing the brackets, the rubber lining should not be pressed too tightly to the pipe. Plastic spacers between the two bracket halves may help reduce the pressure.
- in very sensitive areas, it may be advisable to use special noise-damping fixing brackets; e.g. the acoustic decoupler
- in vertical pipes, down pipe supports should not be spaced too far apart in order to avoid too high pressure on the rubber ring.

Airborne sound

The water flow in the pipes must be eased to reduce flow noises:

- the transition from a down pipe of a height of 10 m or more to a horizontal pipe should be carried out using flow-calming bends with steadying distance
- sideways offsets of a down pipe must also be carried out with bends with steadying distance, both above and below
- the connection of a down pipe to a horizontal line must be carried out with 45° branch and 45° bend
- the connection of a horizontal pipe to a down pipe should be carried out with 88° branch with 45° access angle.

Installation in a sensitive room:

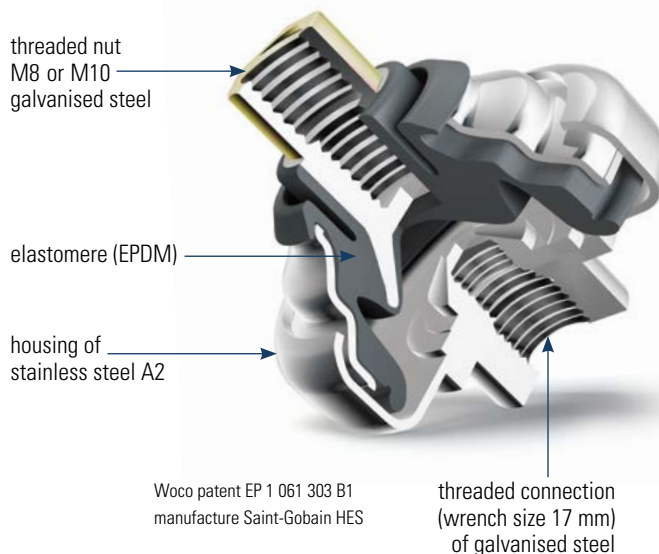
- as per German DIN regulations, drainage pipes may not be installed openly on the walls of a sensitive room such as living rooms, bedrooms, workrooms etc.
- in case of installation between the ceiling and a suspended ceiling, the suspended ceiling should be sealed, e.g. gypsum cardboard with sealed seams and mineral wool. Alternatively, the drainage pipeline may be covered, e.g. with a casing made of gypsum cardboard and mineral wool.

Fixing and Noise Protection

The choice of the pipe bracketing can be decisive for noise protection. For SML, standard pipe brackets with rubber inserts are sufficient in most cases.

Acoustic Decoupler

In order to observe increased noise protection requirements, it may be advisable to use the acoustic decoupler together with pipe brackets without rubber insert. The decoupler is screwed between two short threaded bars M8 or M10 between the pipe bracket and the wall/ceiling. Its special construction ensures an effective decoupling from structure-borne sound. It is suitable for vertical or suspended horizontal Düker SML pipes (suspended from the ceiling or from a mounting console) in DN 50 up to DN 150. In case of horizontal pipelines, an acoustic decoupler can carry max. 1000 N, in case of vertical lines max. 400 N. Superior weights must be compensated for with down pipe supports, grip collars etc.



The acoustic decoupler can face the bracket with any of its two sides.



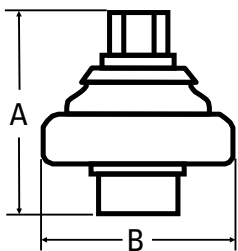
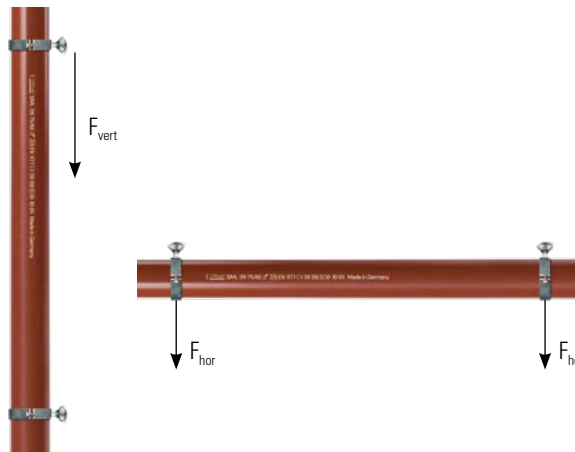
MEASURES, ACOUSTIC DECOUPLER

Vertical Installation

- pipelines DN 40 up to DN 150
- on a length of 3 m you require 2 acoustic decouplers
- the maximum charge F_{vert} per decoupler is 400 N

Horizontal Installation

- pipelines DN 40 up to DN 150
- on a length of 3 m you require 2 acoustic decouplers
- the pipelines must be suspended either from the ceiling or from a console. A fixing direct to a wall is not admissible
- the maximum charge F_{hor} per decoupler is 1,000 N

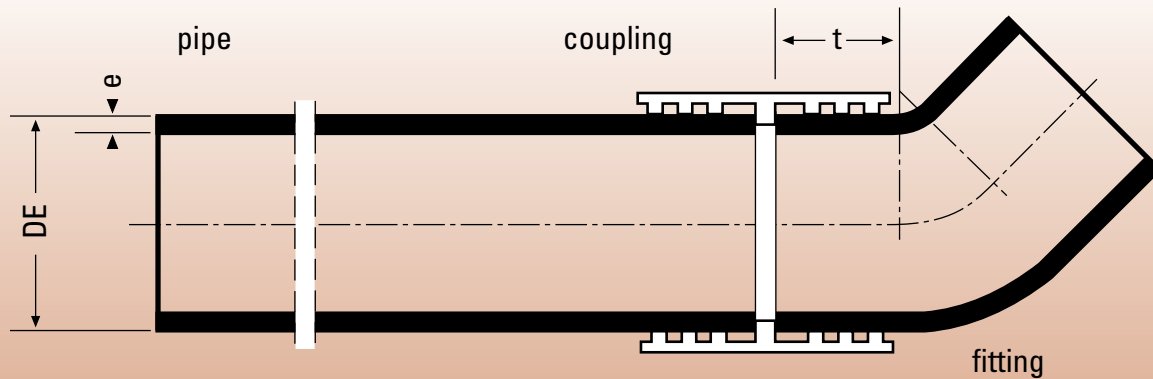


DN	A	B	kg	item no.
50 – 150	48	49	0,1	239681

both sides internal thread M10 and M8
wrench sizes 13 or 17







Construction dimensions:

Pipe diameter
Wall thicknesses
Insertion lengths (sealing zone)

Pipe weights
Surface

SML pipes and SML fittings (EN 877 and DIN 19 522)

nominal diameter	exterior diameter		wall thickness pipes and fittings		insertion length (sealing zone)	admissible interior pressure		pipe weight empty	pipe weight full	surface ca. m ²
	DN	DE tolerance	nominal	minimum		t	pipes up to			
50	58	+2/-1	3.5	3.0	30	10 bar	10 bar	5.3	7.3	0.18
70*	78	+2/-1	3.5	3.0	35	10 bar	10 bar	6.7	10.7	0.26
80 ¹⁾	83	+2/-1	3.5	3.0	35	10 bar	10 bar	6.7	11.1	0.26
100	110	+2/-1	3.5	3.0	40	10 bar	10 bar	8.5	16.8	0.35
125	135	+2/-2	4.0	3.5	45	10 bar	10 bar	11.7	24.4	0.42
150	160	+2/-2	4.0	3.5	50	10 bar	5 bar	14.3	32.5	0.50
200	210	+2.5/-2.5	5.0	4.0	60	10 bar	5 bar	23.8	55.3	0.65
250	274	+2.5/-2.5	5.5	4.5	70	10 bar	3 bar	30.3	84.6	0.85
300	326	+2.5/-2.5	6.0	5.0	80	10 bar	3 bar	41.7	119.1	1.02
400	429	+2/-3	6.3	5.0	80	10 bar	2 bar	58.5	194.7	1.35
500**	532	+2.0/-3.5	7.0	5.2	80	6 bar	2 bar	83.3	294.5	1.67
600**	635	+2.0/-4.0	7.7	5.8	80	4 bar	2 bar	108.5	410.0	1.99

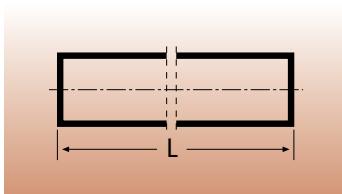
For CAD drawings 2D and 3D
(dxf and VDI 3805 format)
please consult
www.dueker.de/vdi3805
see also page 104/105.

* obsolete model
** on request (DN 500 and 600 see MLB programme)
*** except inspection pipes, siphons, hermetic plugs and connection pieces

¹⁾ The nominal diameter DN 80 with a minimum interior diameter of 75 mm corresponds to DN 80 as per EN 12056-2 as well as to DN 75 as per EN 877 (product standard)

All dimensions in mm

SML Pipes



SML pipe DIN 19522

L = 3000 mm

DN	kg	item no.
50	15.8	660004
70*	20.0	660094
80	20.2	235145
100	25.6	660184
125	35.0	660274
150	42.8	660364
200	71.5	660454
250	91.0	660654
300	125.2	660664
400	175.5	660604
500**		
600**		

* obsolete model, ** on request (see MLB programme)

Düker pro-cut tape

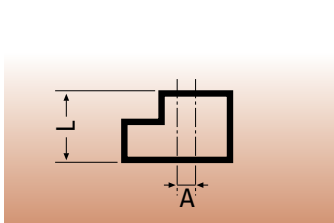


Düker pro-cut tape as cut edge protection

	item no.
Spool with 20 m each	239100

Butyl rubber tape. 10 m are sufficient for approx. 30 cut edges DN 100.

Reducers

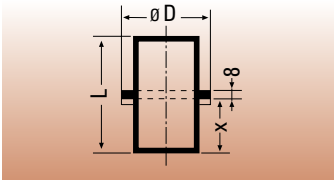


SML reducer DIN 19522

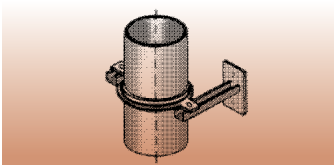
DN	A	L	kg	item no.
70 x 50*	10	75	0.5	662504
80 x 50	12.5	80	0.7	235159
100 x 50	25	80	0.9	662514
100 x 70*	16	85	0.9	662524
100 x 80	13.5	90	1.0	235161
125 x 50	38.5	85	1.4	662534
125 x 70*	28.5	90	1.5	662544
125 x 80	26	95	1.7	235162
125 x 100	12.5	95	1.5	662554
150 x 50	51	95	2.0	662564
150 x 70*	41	100	2.4	662574
150 x 80	37.5	100	2.3	235417
150 x 100	25	105	2.2	662584
150 x 125	12.5	110	2.2	662594
200 x 100	50	115	4.1	662604
200 x 125	37.5	120	4.1	662614
200 x 150	25	125	4.3	662624
250 x 150	57	140	6.8	662634
250 x 200	32	145	7.0	662644
300 x 150	83	150	9.7	662494
300 x 200	58	160	11.4	662714
300 x 250	26	170	10.9	662724
400 x 300**	51.5	180	15.1	662444

* obsolete model. ** on request

SML Down Pipe Supports



Installation Example with Console (available in the trade)

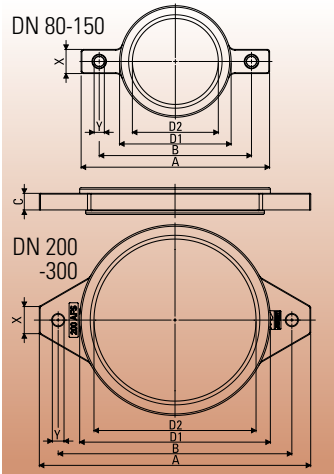


SML down pipe support DIN 19522

DN	D	X	L	kg	item no.	support incl. bearing ring
50	87	96	200	1.3	661544	223825
70*	106	96	200	1.6	661554	223830
80	114	96	200	1.8	235164	235343
100	145	96	200	2.3	661564	223834
125	170	96	200	3.3	661574	223839
150	195	96	200	4.0	661584	223841
200	245	96	200	6.2	661594	223843
250	340	146	300	14.0	100242	230053
300	390	146	300	25.7	100244	230054

* obsolete model

Bearing Rings

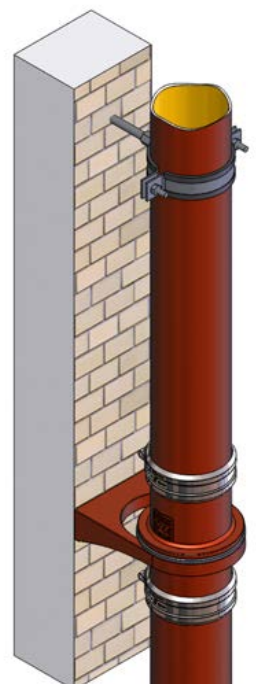
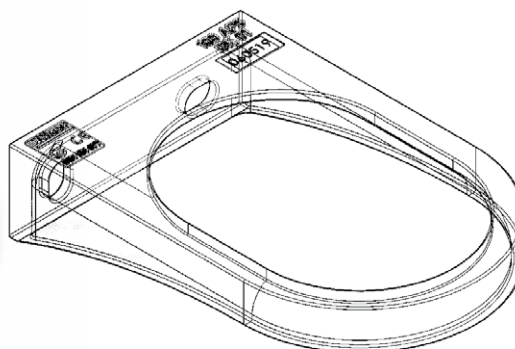


DN	D ₂	D ₁	A	B	C	*	kg	item no.
50	61	93	193	148	25	33	0.8	666314
70*	81.5	114	214	166	26	33	1.0	666324
80	86.5	120	214	166	31	32	1.0	235344
100	115	147	250	202	28	33	1.3	666334
125	138	171	275	225.5	28	33	1.6	666344
150	163	199	301	253.5	30	33	1.9	666354
200	215	250	360	310.5	30	36	3.3	666374
250	280	344	442	392	34	40	7.5	227152
300	332	393	495	445	39	40	9.5	227153

* obsolete model

Bearing ring incl. rubber for down pipe supports. The shape of the fixing lug is presently being modified from rectangular to trapezoidal. The modification of the larger diameters has already been carried out, further diameters will follow.

Ring Console

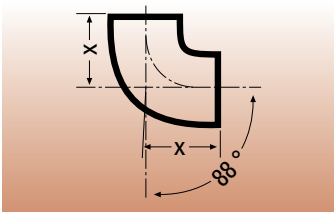


As an alternative to the down pipe bearing ring and steel fixing console, Düker is planning to introduce the **Düker ring console**.

The bearing ring and the console have "melted together" to a single cast iron item. The bearing ring is oval in shape and thus enables the distance between the pipe and the wall to be adjusted by up to 50 mm, simply by aligning the round pipe in the oval. For superior wall distances, it is possible to use distance plates between the console and the wall.

- On the sides, the ring console does not require any more space than the down pipe support itself - on DN 100, for example, this is 18 mm on each side.
- The new ring console is planned in the nominal diameters DN 50 up to DN 150.

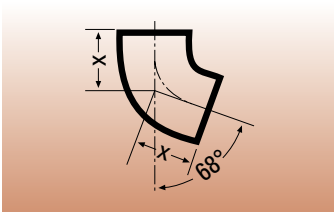
SML Bends 88°



SML bend DIN 19522

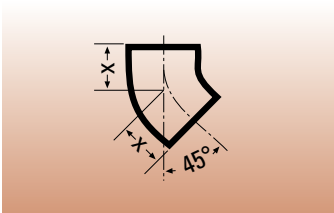
DN	X	kg	item no.
50	75	0.7	661054
70*	90	1.1	661114
80	95	1.2	235150
100	110	2.1	661174
125	125	3.2	661234
150	145	4.8	661294
200	180	8.8	662784
250**	225	15.5	233621
300**	260	24.5	233622

SML Bends 68°



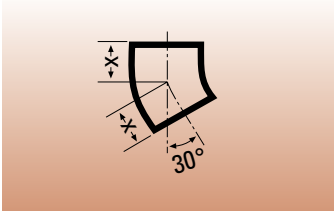
DN	X	kg	item no.
50	65	0.7	661034
70*	75	1.1	661094
80	80	1.2	235149
100	90	1.9	661154
125	105	2.9	661214
150	120	4.3	661274
200	145	7.7	661334

SML Bends 45°



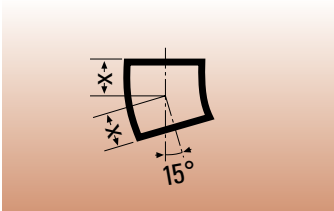
DN	X	kg	item no.
50	50	0.5	661024
70*	60	0.9	661084
80	60	0.9	235148
100	70	1.5	661144
125	80	2.3	661204
150	90	3.5	661264
200	110	5.5	661324
250	130	10.3	661374
300	155	17.0	661394
400**	257	38.3	661284

SML Bends 30°



DN	X	kg	item no.
50	45	0.5	661014
70*	50	0.7	661074
80	60	0.9	235147
100	60	1.3	661134
125	70	2.0	661194
150	80	3.1	661254
200	95	5.2	661314
250	110	9.1	661364
300	130	14.7	661384

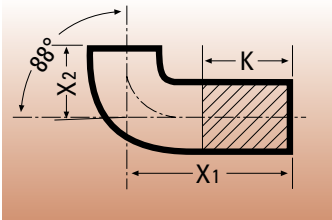
SML Bends 15°



DN	X	kg	item no.
50	40	0.4	661004
70*	45	0.6	661064
80	50	0.7	235146
100	50	1.0	661124
125	60	1.7	661184
150	65	2.5	661244
200	80	4.6	661304

* obsolete model. ** on request

SML Bends 88°
with 250 mm spigot

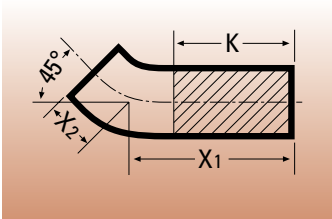


SML bend with long spigot 88° DIN 19522

DN	X ₁	X ₂	K**	kg	item no.
70*	250	90	160	2.8	662064
80	250	95	155	2.6	236348
100	250	110	140	3.5	662084

* obsolete model. ** dimension for maximum cut-back

SML Bends 45°
with 250 mm spigot

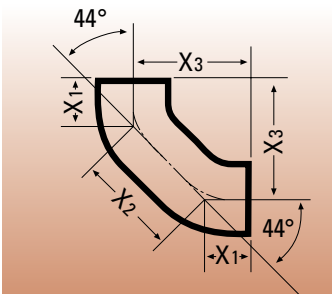


SML bend with long spigot 45° DIN 19522

DN	X ₁	X ₂	K**	kg	item no.
70*	250	60	190	2.6	662054
80	250	60	190	2.5	236347
100	250	70	180	4.2	662074

* obsolete model. ** dimension for maximum cut-back

SML Double Bends 88°
from 2 bends 44°



SML double bend 88° DIN 19522

DN	X ₁	X ₂	X ₃	kg	item no.
50	50	100	121	1.2	661484
70*	60	120	145	1.8	661494
80	60	120	145	1.8	235151
100	70	140	170	3.2	661504
125	80	160	195	4.6	661514
150	90	180	219	7.0	661524

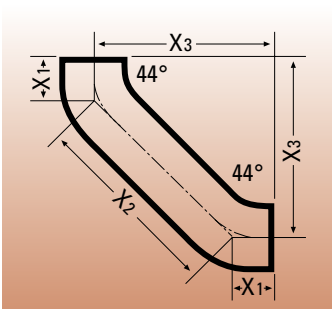
* obsolete model

As per German DIN 1986, turns of base and collecting pipes may only be carried out with pre-manufactured bends. Each single bend may only have 45°.

Normally, two bends 45° must be installed for this case. With the double bend, one coupling is no longer necessary and installation is simplified. Furthermore, this fitting offers the possibility of fixing a bracket in the middle.

The bend is also suitable for transition from a down pipe to a horizontal pipe and vice versa.

SML Flow-calming Bends 88°
with 250 mm steadying distance for adapting down pipes to draft pipes



SML flow-calming bend 88° DIN 19522

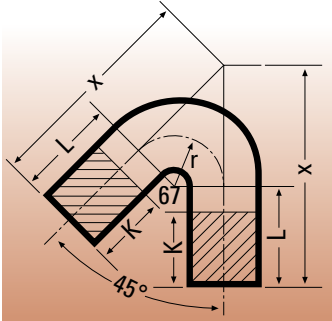
DN	X ₁	X ₂	X ₃	kg	item no.
70*	60	301	273	3.2	662734
80	60	301	273	3.4	236349
100	70	312	291	4.8	662744
125	80	322	308	6.8	662754
150	90	334	326	9.6	662764

* obsolete model

German DIN 1986 says that for down pipes running through four to eight storeys or with a length of 10 to 22 m, special arrangements must be taken. Supply and running bend of a draft pipe are to be resolved with a separator of 250 mm length.



SML Bends 135° for ventilation

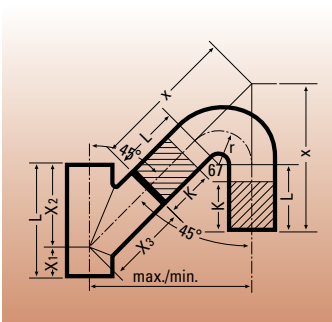


SML bend 135° for ventilation DIN 19522

DN	X	K**	L	kg	item no.
100	312	100	150	5.0	662774

** dimensions for maximum cut-back

Combination Examples branch 45° - bend 135°



Combinations of SML branches 45° and SML bends 135° for bypasses

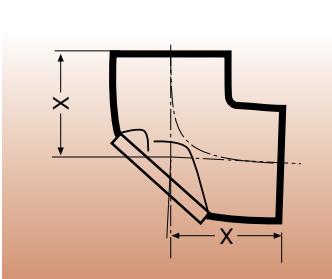
DN	max.	min.
100 x 100	370	300
125 x 100	380	310
150 x 100	395	325
200 x 100	410	340

German DIN 1986-100 requires bypass lines for ventilation purposes in the following cases:

- down pipes over 10 m height with a sideways offset of more than 2m
- down pipes over 22 m height at any offsets and at the transition into a horizontal line

The upper connection between the bypass and the downpipe is executed with a 135° bend.

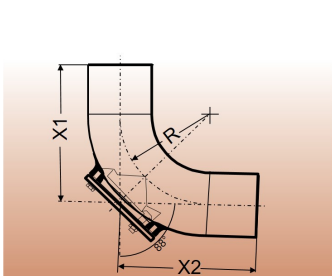
SML Short Radius Access Bends 88°



SML short radius access bend 88°

DN	X	kg	item no.
100	110	2.9	100268
150	145	6.1	232741

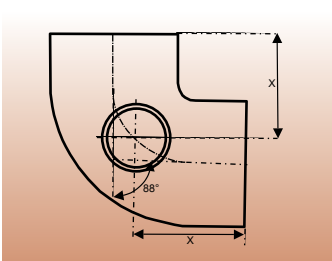
SML Long Radius Bends 88° with/without access



SML long radius bend 88°

DN	X1	X2	R	kg		item no.	
				with access	without access	with access	without access
100	230	230	150	6.2	-	100262	-
100	272	272	230	-	5.1	-	235125
150	245	245	150	-	7.8	-	235126

SML Bends 88° with vent

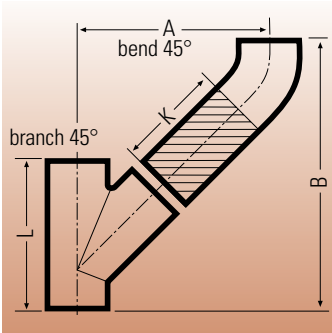


SML bend with vent 88°

DN	X	kg	item no.
100 x 50	91	2.2	232445

Combination Examples

branch 45° - bend 45°



Combinations of SML bends and SML branches (bend with 250 mm spigot)

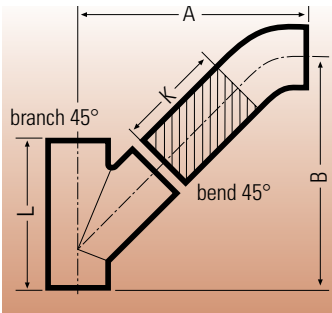
branch 45° DN	bend 45° DN	A max.	A min.	B max.	B min.	L	K*
70 x 70	70	283	149	398	264	200	190
80 x 80	80	293	159	418	284	225	190
100 x 70	70	301	166	406	271	215	190
100 x 80	80	304	170	419	285	230	190
100 x 100	100	315	187	455	327	260	180
125 x 70	70	311	177	411	277	225	190
125 x 80	80	322	187	422	287	240	190
125 x 100	100	329	202	459	332	270	180

* Dimension for maximum cut-back

The reducing quotient is 1:1.5 in site praxis. In order to decrease the distances A and B by 1 cm (both change at the same time), the bend must be cut back by 1.5 cm.

Combination Examples

branch 45° - bend 45°

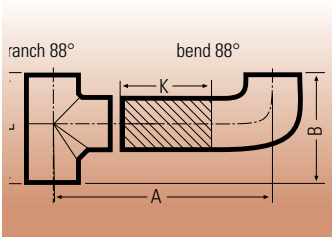


Combinations of SML bends and SML branches (bend with 250 mm spigot)

branch 45° DN	bend 45° DN	A max.	A min.	B max.	B min.	L	K*
70 x 70	70	343	209	338	204	200	190
80 x 80	80	353	219	358	224	225	190
100 x 70	70	361	226	346	212	215	190
100 x 80	80	364	230	359	225	230	190
100 x 100	100	385	257	385	257	260	180
125 x 70	70	371	237	351	217	225	190
125 x 80	80	382	247	362	227	240	190
125 x 100	100	399	272	389	262	270	180

Combination Examples

branch 88° - bend 88°

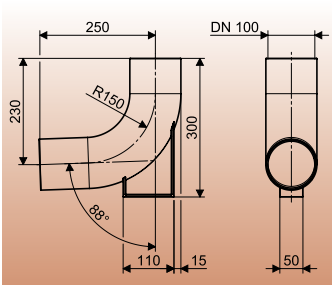


branch 88° DN	bend 88° DN	A max.	A min.	B	L	K*
70 x 70	70	350	190	187	180	160
80 x 80	80	350	195	197	180	155
100 x 80	80	365	210	207	190	155
100 x 100	100	370	230	225	220	140
125 x 80	80	380	225	213	205	155
125 x 100	100	385	245	235	235	140

* Dimension for maximum cut-back

In this case, the reducing quotient is 1:1. The distance A changes identically to the reduction of the bend. Dimensional tolerances for distance B which theoretically result from the descent are unimportant for installation practice.

SML Rest Bend

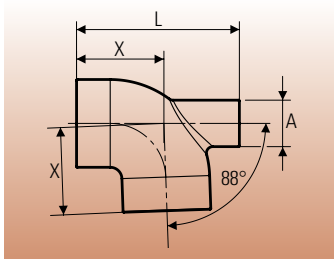


SML Rest Bend 88°

DN	kg	item no.
100	5,7	100263

measurements see drawing

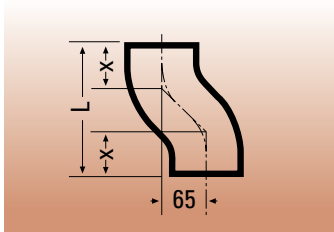
SML Bends 88°
with high heel



SML bend with high heel 88°

DN	X	L	A	kg	item no.
100 x 50	110	205	58.5	2.3	235529

SML S-Bends
offset = 65 mm

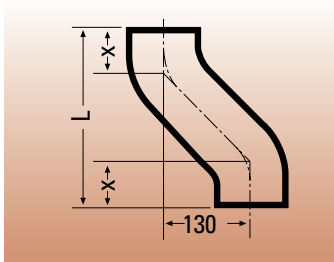


SML S-bend 65 mm DIN 19522

DN	X	L	kg	item no.
100*	70	205	2.5	662864

* obsolete model

SML S-Bends
offset = 130 mm

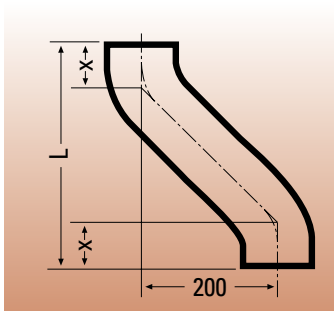


SML S-bend 130 mm DIN 19522

DN	X	L	kg	item no.
100*	70	270	3.4	662874

* obsolete model

SML S-Bends
offset = 200 mm

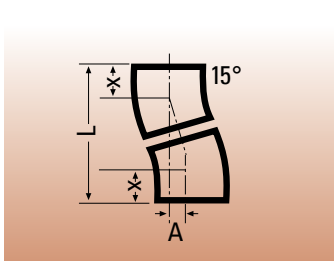


SML S-bend 200 mm DIN 19522

DN	X	L	kg	item no.
100*	70	340	4.4	662884

* obsolete model

SML S-Bends
made of 2 SML bends 15°

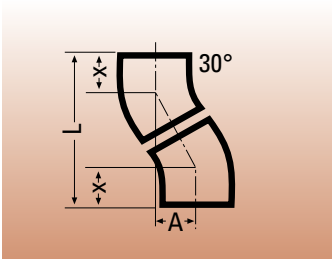


Fitting/bend combinations

DN	X	A	L
50	40	27	162
70	50	26	197
80	50	26	197
100	50	27	201
125	60	32	241
150	65	35	260
200	80	43	319

SML S-Bends

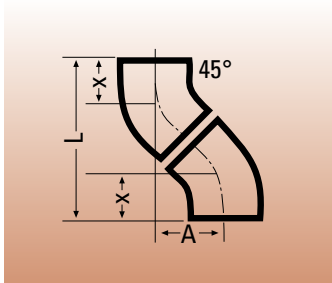
made of 2 SML bends 30°



Fitting/bend combination			
DN	X	A	L
50	45	48	172
70	60	60	224
80	60	60	224
100	60	63	228
125	70	73	266
150	80	83	303
200	95	98	359
250	110	113	415
300	130	133	489

SML S-Bends

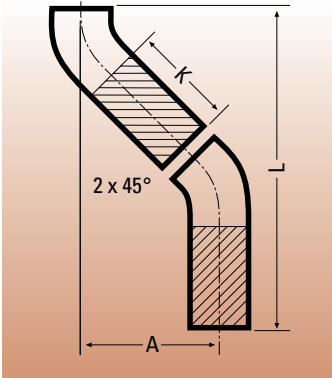
made of 2 SML bends 45°



DN	X	A	L
50	50	74	174
70	60	85	205
80	60	85	205
100	70	103	243
125	80	117	277
150	90	131	311
200	110	159	379
250	130	187	447
300	155	223	533

SML S-Bends

made of 2 SML bends 45°
with 250 mm spigots



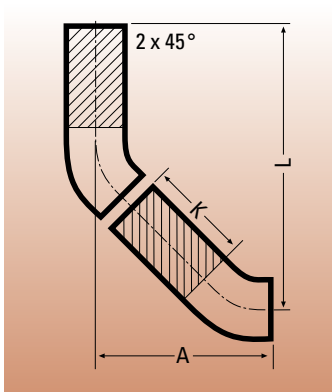
Bend combinations					
DN	A max.	A min.	L max.	L min.	K*
70	223	88	533	398	190
80	223	88	533	398	190
100	230	103	550	423	180

* Dimension for maximum cut-back

Bends with 250 mm spigots can be reduced by the K-dimension at the most. This allows optimum adaptation of the pipes to the structure. A reducing quotient of 1:1.5 can be used in site practice for 45° bends. This means: for a decrease of the distance dimensions A and L by 1 cm, the diagonally running longer spigot is to be shortened by 1.5 cm. In the above chart, 5 mm were added for the distance of the coupling. Because of the simple calculation method we dispense with the illustration of the three further combination possibilities of these bends (long spigots with long, short with short or one long spigot above).

Deviation

made of 2 SML bends 45°
with 250 mm spigots



Bend combinations					
DN	A max.	A min.	L max.	L min.	K*
70	283	148	473	338	190
80	283	148	473	338	190
100	300	173	480	353	180

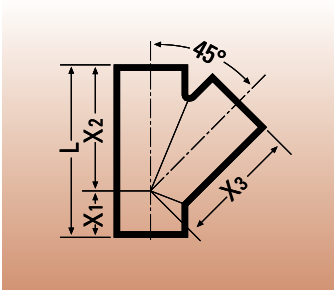
* Dimension for maximum cut-back

Due to cut-back possibilities, even the deviation made of 2 SML bends 45° with 250 mm spigots shown here allows good adaptation of the pipes to the structure. Reducing quotient as in the previous example 1:1.5. This also is only one example out of 4 different combination possibilities.

These combinations equal a hydraulically favourable and installation-friendly pipe direction with all deviations: vertical-horizontal, horizontal-vertical and horizontal-horizontal. The overall lengths "L" can also be lessened by cutting back the long supplying or draining spigots.



SML Branches 45°



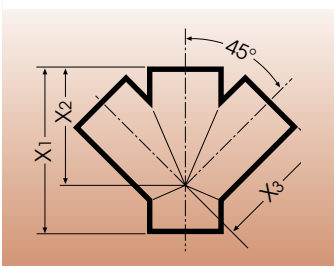
The introduction of the German standard DIN 19522: 2000-01 (supplement to EN 877) led to dimensional changes on some fittings such as branches 45°, double branches and corner branches. Such fittings of older manufacture may therefore deviate from the dimensions stated in this document.

SML single branch 45° DIN 19522

DN	X ₁	X ₂	X ₃	L	kg	item no.
50 x 50	50	135	135	185	1.4	663004
70 x 50*	40	150	150	190	1.6	663034
80 x 50	50	140	140	190	1.7	235152
70 x 70*	55	160	160	215	2.3	663064
80 x 80	65	160	160	225	2.4	235154
100 x 50	35	165	165	200	2.5	663094
100 x 70*	50	185	185	235	3.3	663124
100 x 80	55	175	175	230	3.3	235156
100 x 100	70	205	205	275	4.2	663154
125 x 50	20	185	185	205	3.4	663184
125 x 70*	40	200	200	240	4.3	663214
125 x 80	40	200	200	240	3.6	235342
125 x 100	60	220	220	280	5.2	663244
125 x 125	80	240	240	320	6.4	663274
150 x 70*	30	215	215	245	5.6	663334
150 x 80	40	215	215	260	5.2	235415
150 x 100	55	240	240	295	6.4	663364
150 x 125	70	255	255	325	8.3	663394
150 x 150	90	265	265	355	9.2	663424
200 x 70*	15	240	240	255	8.1	663484
200 x 80	20	240	240	260	8.5	235416
200 x 100	40	265	265	305	10.0	663514
200 x 125	55	280	280	335	11.9	663544
200 x 150	75	300	300	375	12.4	663574
200 x 200	115	340	340	455	17.2	663604
250 x 100	15	310	310	325	15.4	663634
250 x 125	35	335	335	370	17.7	664504
250 x 150	55	350	350	405	20.4	664514
250 x 200	90	385	385	475	25.1	663644
250 x 250	130	430	430	560	31.5	663654
300 x 100	5	345	345	350	19.0	663664
300 x 125	15	360	360	375	21.5	664524
300 x 150	35	380	380	415	23.0	664534
300 x 200	70	415	440	485	34.0	664444
300 x 250	115	465	465	580	42.1	663674
300 x 300	155	505	505	660	50.1	663684
400 x 300**	105	555	565	660	60.0	663694
500 x 300**	85	635	680	720	99.0	240433

* obsolete model. ** on request

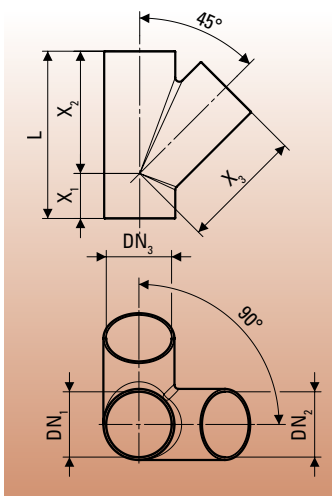
SML Double Branches 45°



SML double branch 45°

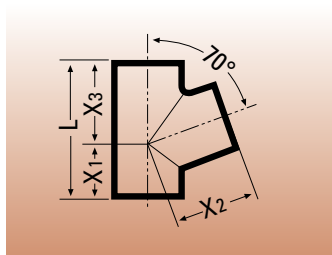
DN	X ₁	X ₂	X ₃	kg	item no.
100 x 100	260	190	190	5.1	100260
125 x 100	280	220	220	6.5	237737
150 x 100	280	225	225	7.1	661444

SML Corner Branches 45°
corner angle 90°



SML corner branch 45°								
DN ₁	DN ₂	DN ₃	X ₁	X ₂	X ₃	L	kg	item no.
100	100	100	70	190	190	260	4.5	239702

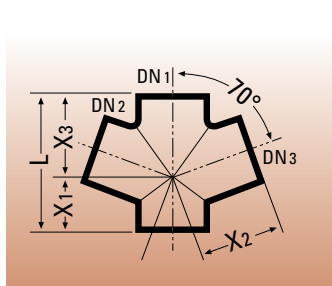
SML Branches 70°



SML single branch 70°							
DN	X ₁	X ₂	X ₃	L	kg	item no.	
50 x 50	55	80	80	135	0.9	663014	
70 x 50*	55	90	90	145	1.2	663044	
70 x 70*	70	100	100	170	1.6	663074	
100 x 50*	55	110	100	155	1.9	663104	
100 x 70*	70	120	110	180	2.3	663134	
100 x 100	85	130	130	215	3.0	663164	
125 x 50*	55	120	110	165	2.7	663194	
125 x 100	85	145	140	225	4.8	663254	
150 x 100*	85	155	150	235	5.3	663374	
150 x 125*	100	170	165	265	6.2	663404	

* obsolete model

SML Double Branches 70°



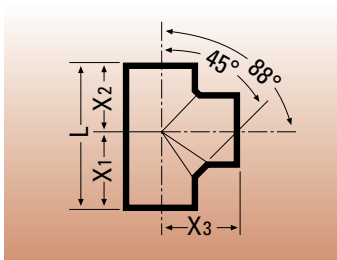
SML double branch 70°							
DN	X ₁	X ₂	X ₃	L	kg	item no.	
100 x 100 x 100	85	130	130	215	3.5	663864	
125 x 100 x 100	85	145	140	225	5.0	663954	

Important note on 70° branches!

As per German DIN 1986, for connection of horizontal pipes up to DN 70 to down pipes, branches of 88° are to be used. This is to prevent negative pressure in the connecting pipes. SML branches 88° with an access angle of 45° also allow to connect larger diameters from DN 100 up to the down pipe. This is space-saving and guarantees connecting pipes without negative pressure. Therefore 70° branches are no longer required and are no longer contained in German DIN 19522. As 70° branches are however still on demand, we sell a reduced range of 70° branches until further notice.



SML Branches 88°
entry angle 45°

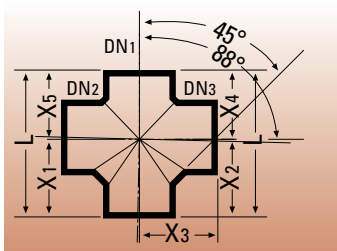


SML single branch 88° DIN 19522

DN	X ₁	X ₂	X ₃	L	kg	item no.
50 x 50	79	66	80	145	0.9	663024
70 x 50*	83	72	90	155	1.4	663054
80 x 50	95	85	90	180	1.5	235153
70 x 70*	97	83	95	180	1.7	663084
80 x 80	95	85	95	180	1.8	235155
100 x 50	94	76	105	170	2.1	663114
100 x 70*	102	88	110	190	2.4	663144
100 x 80	105	85	110	190	2.5	235157
100 x 100	115	105	120	220	2.9	663174
125 x 50	98	82	120	180	3.0	663204
125 x 70*	107	93	125	200	3.4	663234
125 x 80	110	94	125	205	3.1	235158
125 x 100	125	110	130	235	4.0	663264
125 x 125	137	123	135	260	4.6	663294
150 x 50	100	100	140	200	4.4	663324
150 x 80	115	105	149	220	4.2	235473
150 x 100	130	115	145	245	5.5	663384
150 x 125	147	128	150	275	6.2	663414
150 x 150	158	142	155	300	6.9	663444
200 x 200	205	175	210	380	10.1	234752

* obsolete model

SML Double Branches 88°
entry angle 45°



SML double branch 88°

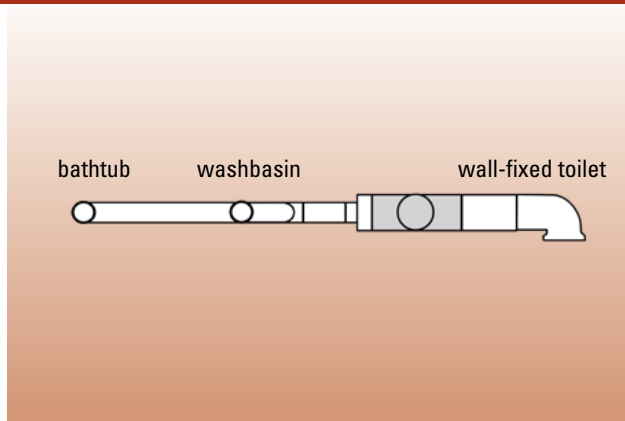
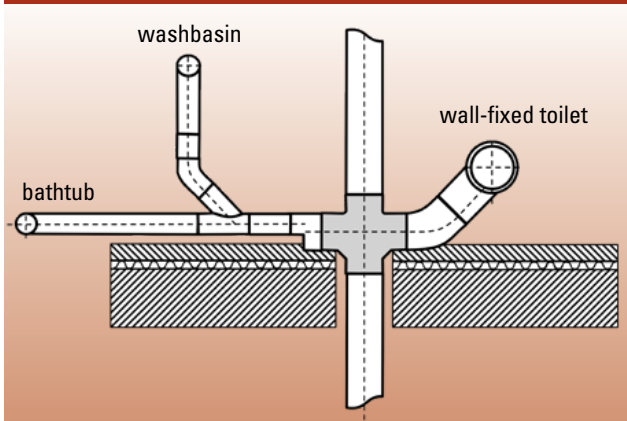
DN ₁	DN ₂	DN ₃	X ₁	X ₂	X ₃	X ₄	X ₅	L	kg	item no.
100 x 50 x 50	100	100	105	80	80	180	2.2	663814		
100 x 70 x 70*	102	102	110	88	88	190	2.7	663844		
100 x 80 x 80	110	110	120	95	95	205	3.2	236353		
100 x 100 x 100	120	120	120	110	110	230	3.4	663874		
150 x 100 x 100	130	130	145	115	115	245	5.9	664084		

* obsolete model

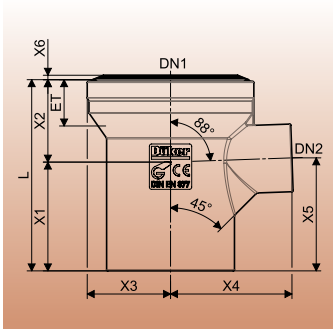
The German standard DIN 1986-100, a national amendment to EN 12056, used to forbid the connection of waste water containing excrements facing a connection of waste water without excrements. It was feared that excrements might be washed into the bathtub siphon.

However, after extended experiments, the new version of DIN 1986-100 allows the installation as shown below with double bends 88° with 45° entry angle.

Installation example SML Double Branch 88°



SML branch with short socket entry angle 45°



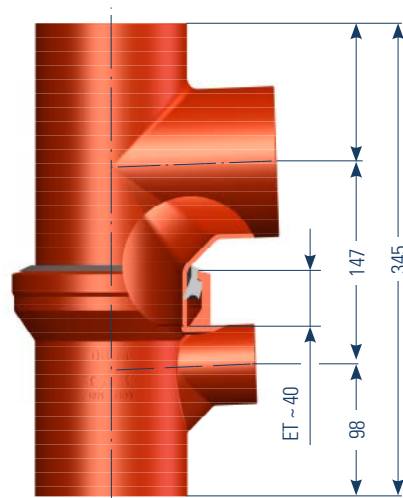
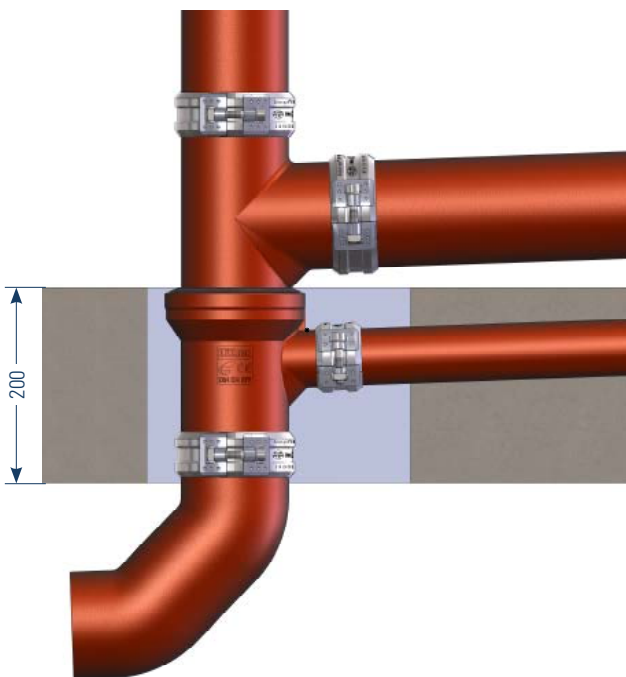
SML branch with short socket

type	DN ₁	DN ₂	L	ET*	X ₁	X ₂	X ₃	X ₄	X ₅	X ₆	kg	item no.
standard	100	50	165	40	94	71	72	105	98	4	2.0	300727
with long spigot	100	50	535**	40	464	71	72	105	468	4	6.0	316625

* insertion depth ** maximum cut-back 370 mm

Developed in particular for the connection of floor drains or floor-level showers within the ceiling. The push-in socket minimises the distance between the connection in the ceiling and e.g. a WC drain above the ceiling. The branch above the ceiling can be offset to the branch in the ceiling.

Installation example



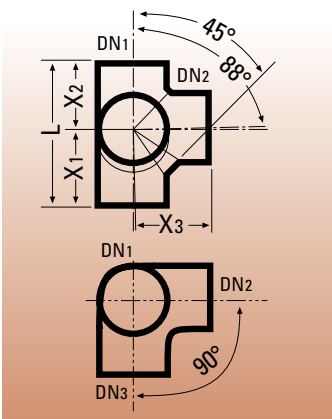
Installation

Apply suitable lubricant to the rubber seal, push in pipe spigot or fitting. On cut pipes, break sharp edges before pushing in. Chamfering is not required.

Advantages

- Approved for building drainage: fitting as per EN 877, with CE marking and Declaration of Performance as per CPR.
- Approval for fire-rated ceilings: test passed for EI 120 with Düker fire protection coupling BSV 90.
- Can be installed with cast iron or plastic connecting lines.
- Connecting line above the ceiling can be installed very low.
- Connection in the ceiling can be positioned optimally for a sufficient descent within the ceiling.
- The branch above the ceiling can be offset to the branch in the ceiling

SML Corner Branches 88°
entry angle 45°, corner angle 88°



SML corner branch 88° DIN 19522

DN ₁	DN ₂	DN ₃	X ₁	X ₂	X ₃	L	kg	item no.
80	x 80	x 80	105	90	105	195	2.2	235850
100	x 50	x 100 right	115	105	104	220	3.1	662024
100	x 70*	x 70	102	88	110	190	2.7	662044
100	x 80	x 80	110	95	120	205	2.5	236346
100	x 100	x 50 left	89	131	120	220	3.1	662114
100	x 100	x 100	115	105	120	220	3.4	662034
125	x 100	x 100	125	110	130	235	4.6	662014
150	x 100	x 100	130	115	145	245	4.9	664434

* obsolete model



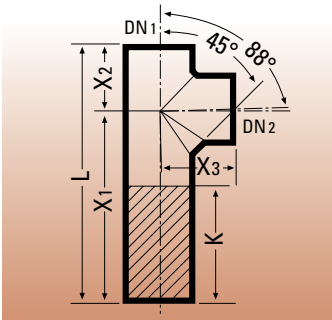
left version

Corner branch DN 100x100x50 right and left version. Horizontal pipes DN 50 and DN 100 can be connected at the same bottom height.



right version

SML Branches 88°
with long spigot, entry angle 45°

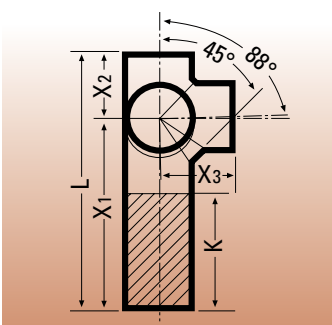


SML single branch 88° long DIN 19522

DN	X ₁	X ₂	X ₃	L	K*	kg	item no.
100 x 100	325	105	115	430	210	4.6	664454

* dimension for maximum cut-back
especially suited for ceiling penetrations

SML Corner Branches 88°
with long spigot
entry angle 45°, corner angle 88°

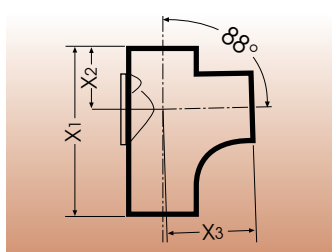


SML corner branch 88° long DIN 19522

DN	X ₁	X ₂	X ₃	L	K*	kg	item no.
100 x 100 x 100	325	105	115	430	210	5.2	664464

* dimension for maximum cut-back
especially suited for ceiling penetrations

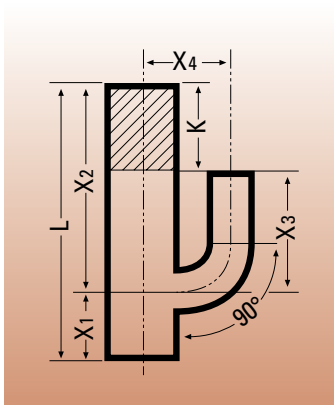
SML Swept Entry Branches 88°



SML swept entry access branch 88°

DN	X ₁	X ₂	X ₃	kg	item no. with access	item no. without access
100 x 100	270	102	150	4.5	100269	
100 x 100	270	102	150	4.2		217969
150 x 150	400	140	260	12.5		235684

SML Parallel Branches

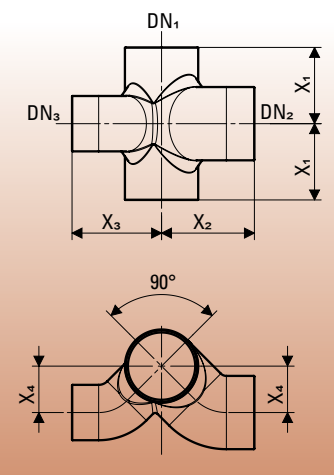


SML parallel branch DIN 19522

DN	X ₁	X ₂	X ₃	X ₄	L	K*	kg	item no.
100 x 70**	100	300	175	125	400	125	6.5	664474
100 x 80	100	300	175	125	400	125	6.9	236354

* dimension for maximum cut-back. ** obsolete model especially suited for ceiling penetrations

SML Combination Branches
entry angle 45°



SML combination branch

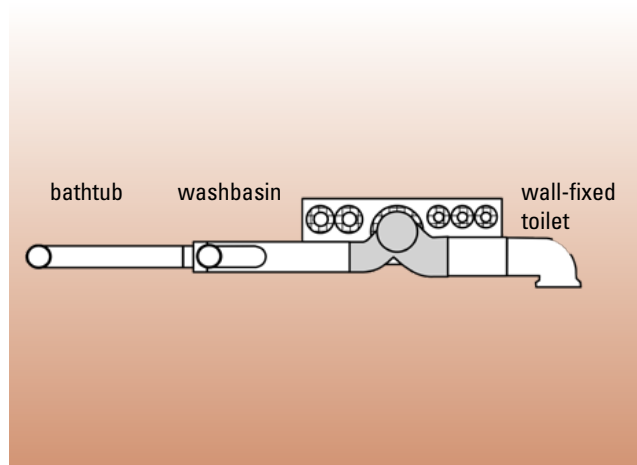
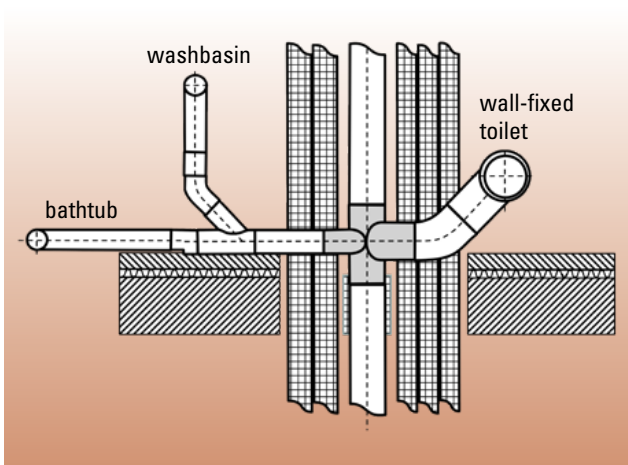
DN	X ₁	X ₂	X ₃	X ₄	kg	item no.
100 x 100 x 70*	115	140	130	70	4.0	665834
100 x 100 x 80	115	140	135	70	4.1	235345
100 x 100 x 100	115	140	140	70	5.0	665924

* obsolete model

The easy-flow designed double branch for space-saving waste water supplies to down pipes in pipe shafts, behind faced brickwork or in sanitary blocks allows simultaneous connection to various sanitary objects. Because of the double-sided arrangement of the access angles at 45°, this branch can be installed laterally reversed by vertical turning of 180°. It allows the level connection of WC and, for example, bathtub.

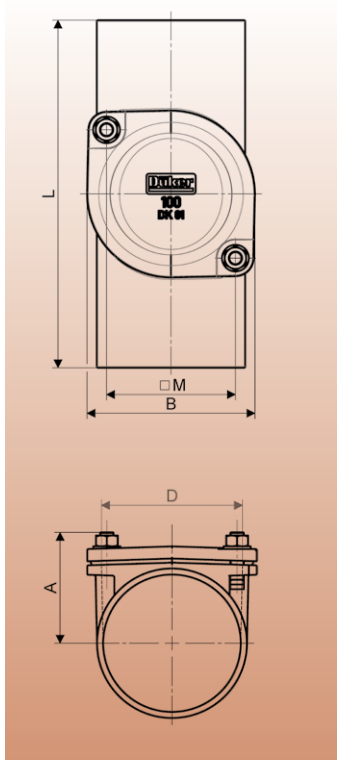
Drinking water or heating supply lines or other pipelines can be installed next to the downpipe without conflicts with the waste water connection lines.

Installation example SML combination branch



SML Inspection Pipes

with round opening for down pipes



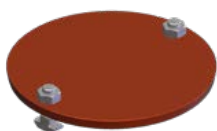
SML inspection pipe round DIN 19522							
DN	A	B	D	L	M	kg	item no.
50	58	90	53	190	60	1,8	669580
70*	71	105	73	210	79	2,9	669583
80	69	110	78	220	80	3,2	235166
100	82	125	104	260	96	3,8	669586

*obsolete model

With toroidal sealing ring in EPDM. Torque at the cover screws: 15 Nm

Note: the cover shape, cover seat on the body, sealing and bolts were modified from manufacturing date January 2017.

When ordering replacements for cover, sealings and fixing materials please indicate the required cover version:



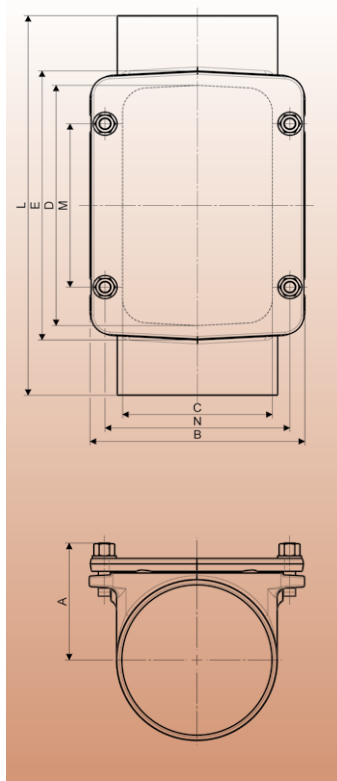
Cover former version (manufacture until autumn 2016)
circular cover with flat outside surface with marking „Deckelsitz nach Montage prüfen“



Cover new version (manufacture from January 2017)
circular cover with fixing lugs, outside surface recessed with Düker marking

Inspection Pipes

with rectangular opening for horizontal and down pipes



SML inspection pipe rectangular DIN 19522										
DN	A	B	E	C	D	L	N	M	kg	item no.
100	82	160	230	100	200	340	136	130	6.0	669624
125	99	190	255	125	225	370	163	150	8.2	669627
150	111	215	280	150	250	395	188	170	12.0	669630
200	136	265	330	200	300	465	238	216	19.0	669633
250	165	330	380	259	350	540	304	250	31.0	669612
300	193	380	430	310	400	610	350	280	45.5	669615

DN 100 to DN 200 with toroidal sealing ring in EPDM. DN 250 and 300 with flat sealing in EPDM. Bolts galvanised.

Note: the cover shape, cover seat on the body, sealing and bolts are being modified step by step from manufacturing date autumn 2018. The table already states the new dimensions. Dimension B will remain unchanged in spite of the modification; dimension L will only change on DN 250 (from 570 to 540 mm). Check dimension L on DN 250 on site if required.

When ordering replacements for cover, sealings and fixing materials please indicate the required cover version:

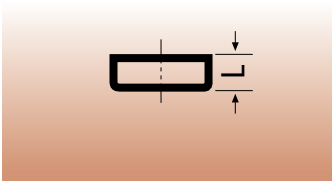


Cover old version
cover with smooth surface



Cover new version
outside surface recessed

SML Plugs

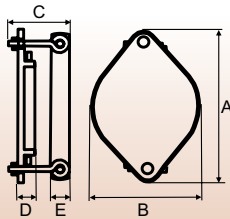


SML plug DIN 19522

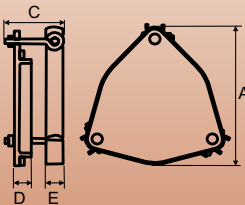
DN	L	kg	item no.
50	30	0,2	665504
70*	35	0,4	665514
80	35	0,5	235163
100	40	0,5	665524
125	45	1,1	665534
150	50	1,7	665544
200	60	3,1	665554
250	70	6,0	665564
300	80	9,5	665574
400*	82	17,0	665594

*on request

SML Hermetic Plugs



DN 100-125



DN 150-200

SML hermetic plug incl. sealing ring

DN	A	B	C	D	E	kg	item no.
100	179	122	86	24	25	1,3	664804
125	204	145	86	24	25	1,8	664814
150	200	–	85	24	25	2,7	664824
200	248	–	71	24	25	3,7	664834



rubber seal in EPDM (spare part)

DN	kg	item no.
100	0,05	100700
125	0,07	100701
150	0,09	100702
200	0,11	100703

New version, rubber sealing
chambered inside and outside

Resistance to interior pressure

Old version up to manufacturing date 2017, sealing not chambered on the outside: max.0.5 bar.

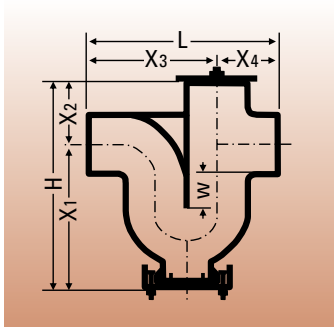
New version from manufacturing date approx. 2018, sealing chambered inside and outside:

DN 100 up to DN 150: 1.5 bar

DN 200: 0.5 bar

SML Odour Traps (siphons)

for horizontal or vertical connection



Cleaning trap below.

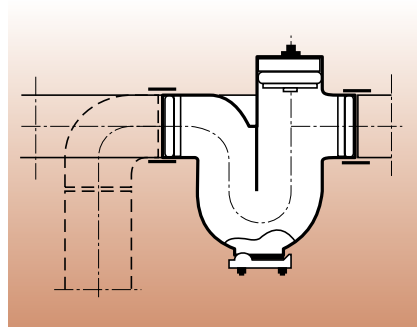
SML odour trap horizontal/vertical DIN 19522

DN	L	H	X ₁	X ₂	X ₃	X ₄	W	kg	item no.
50	190	250	182	68	122	68	60	3,0	669562
70*	265	293	200	93	172	93	60	5,0	669563
80	265	293	200	93	172	93	60	5,8	235165
100	325	390	280	110	215	110	100	9,9	669564
125	390	446	316	130	260	130	100	13,0	669565
150	470	501	356	145	325	145	100	19,5	669566
200	600	608	428	180	400	200	100	36,5	669567

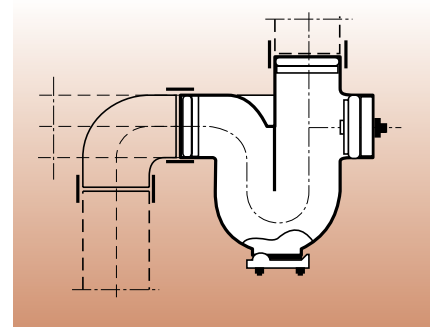
*obsolete model

The supplying side of the SML odour traps DN 50 to DN 200 may be connected either to the horizontal or the vertical pipe. Bends can guide the outlet into different directions. The supply opening not used is to be closed with the hermetic plug with press-sealing automatically supplied.

Installation examples



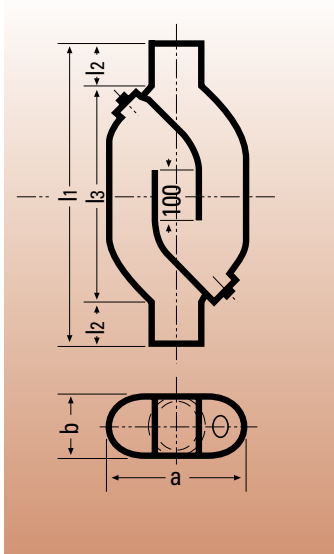
horizontal supply



vertical supply

SML Down Pipe Odour Traps (rain water siphon)

for vertical connection



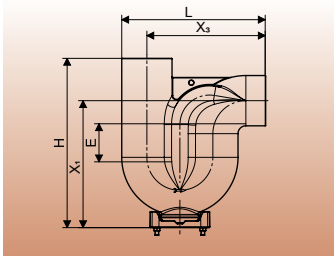
SML down pipe odour trap DIN 19522

DN	a	b	l ₂	l ₃	l ₄	kg	item no.
70*	195	90	80	312	472	9,0	669557
80	195	90	70	333	472	9,6	236357
100	276	124	90	408	588	16,0	669558
125	344	144	100	487	687	28,5	669559
150	374	179	110	522	742	38,0	669560

*obsolete model

100 mm sealing height, vertical version with upper and lower cleaning hole for installation in rain water down pipes. Use of this odour trap is necessary when run-off areas (e.g. balcony or patio drainage) are connected to the rain water pipes which join mixed water pipes. Installation must be carried out in a frost-protected area - we advise above the cleaning hole before junction of the down pipe into the base pipe.

SML Anti-Siphon Traps with cleaning trap below



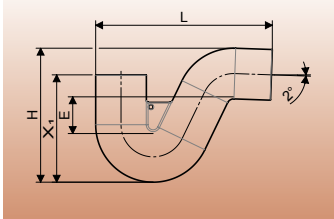
SML anti-siphon trap

DN	L	H	E	X ₁	X ₃	kg	item no.
50	175	255	80	209	146	3,0	238374
70*	245	312	80	240	201	4,6	238375
80	243	310	80	238	201	6,0	239696
100	316	374	80	281	261	8,8	238373

* obsolete model

Cleaning trap: DN 50 with one bolt, DN 70 up to DN 100 with two bolts

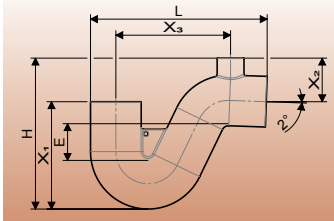
SML P-Siphons plain



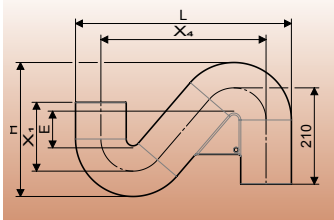
SML P-siphon

	DN	L	H	E	X ₁	X ₂	X ₃	kg	item no.
plain	100	385	292	80	234	-	-	5,9	236012
with 50 mm vent	100	385	329	80	234	95	250	6,2	236010

SML P-Siphons with 50 mm vent



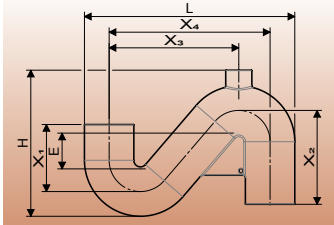
SML S-Siphons plain



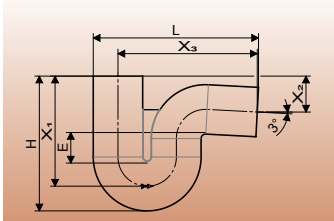
SML S-siphon

	DN	L	H	E	X ₁	X ₂	X ₃	X ₄	kg	item no.
plain	100	471	292	80	150	210	290	360	7,7	236013
with 50 mm vent	100	471	327	80	150	210	290	360	7,8	236011

SML S-Siphons with 50 mm vent



SML Plain Traps



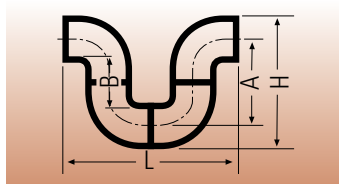
SML plain trap

DN	L	H	E	X ₁	X ₂	X ₃	kg	item no.
100	368	300	68	245	80	310	7,3	100261

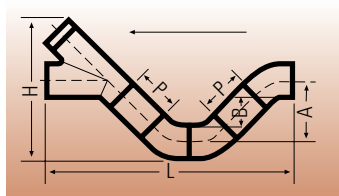


Odour trap as a combination of bends and fittings with a minimum sealing height of 100 mm

Example 1:
DN 70 to 150 with 4 bends 88°



Example 2:
DN 200 to 300 with 1 branch 45°,
3 bends 45°, 1 hermetic plug,
2 pipe cuttings



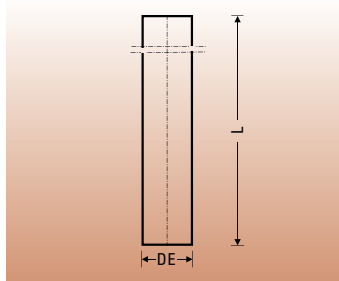
SML fittings combinations

DN	A	B	H	L
70*	185	115	263	375
80	190	108	272	393
100	225	125	335	457
125	255	130	390	518
150	295	145	455	600

* obsolete model

DN	A	B	H	L	P
200	300	100	766	1280	195
250	350	100	941	1525	225
300	400	100	1096	1775	246

SML Rain Water Stand Pipes without socket



SML rain water stand pipe without socket

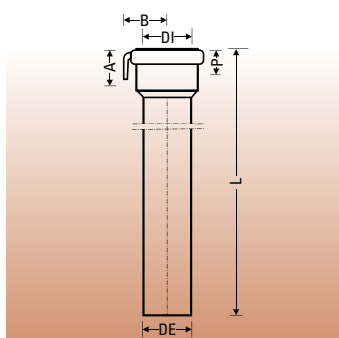
DN	DE	L	kg	item no.
50	58	1000	5,3	660084
70*	78	1000	6,7	660174
80	83	1000	6,7	237916
100	110	1000	8,5	660264
125	135	1000	11,7	660354
150	160	1000	14,3	660444

*obsolete model

DN 100 for connection to pipes of other materials (zinc, copper etc) in dimension 80 - 100 mm.
Pipes inside with yellow epoxy coating, outside with a reddish brown primer coating.
Fixing: with normal pipe clamps.

Attention: For a durable good appearance we recommend to coat rainwater standpipes after installation. Suitable paints are alkyd or acrylic varnishes with corrosion protection additive

Rain Water Stand Pipes with socket



Rain water stand pipe with socket

DN	DE	DI*	L	B	A	P**	kg	item no.
100	110	110	1000	85	81	45	8,8	662230

* outer diameter of connecting pipe. Standpipes can be connected to rainwater downpipes made of zinc, copper or plastics.

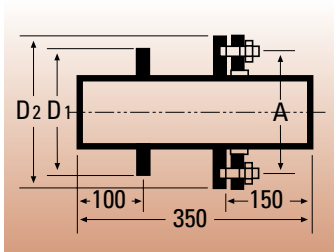
** Insertion length. For easier insertion we recommend to cut the pipe ends in an angle.

Phosphated inside and outside, coating on a PVC basis in shade RAL 7032 (grey)
Sockets with inserted EPDM sealing. Fixing with the integrated socket hook and a fixing loop (not delivered), consisting e.g. of a U profile and a bolt. The minimum distance to the wall is DE 20mm, wider distances can be realised through further wedges.

Attention: For a durable good appearance we recommend to coat rainwater standpipes after installation. Suitable paints are alkyd or acrylic varnishes with corrosion protection additive.

SML Adapters with Clamp and Wall Flange

following German DIN 18195
(sealing against non-pressing water)



SML adapter with clamp and wall flange

DN	A	D ₁	D ₂	kg		item no.	
				without clamp flange	with clamp flange	without clamp flange	with clamp flange
100*	191	190	230	9,0	11,6	665874	669605

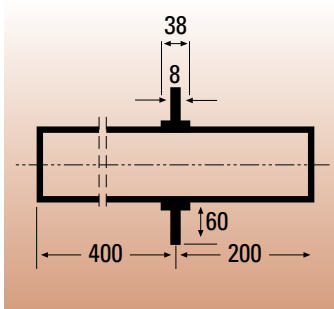
*obsolete model, DN 100 continues to be available in the TML range

With 4 locking screws M 12 x 45, 4 hexagon nuts M 12

The waterproofing (bitumen sheet) must be glued all over to the clamp flange and clamped tight.

SML Pipes with Wall Flange

for installation as wall penetration
in water-tight concrete

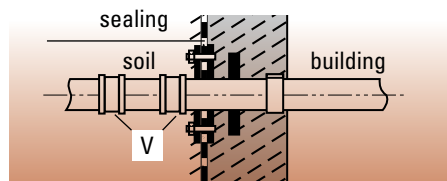


SML pipe with wall flange

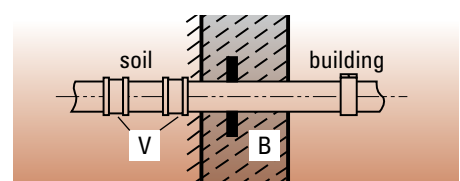
DN	L	kg	item no.
100*	600	8,8	662224

* obsolete model, item continues to be available in the TML range

SML adapters with clamp and wall flange



SML pipe with wall flange



V = SVE coupling to compensate for soil movement, B = water-tight concrete

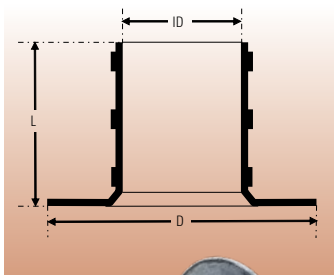
Pipes with wall flange and adapters with clamp and wall flange can be used for wall penetrations of drainage pipes which depend upon water and gas impermeability, e.g. in outer walls, floor plate, basement waterproofing.

As SML is not suitable for underground installation as per EN 877, these items continue to be available in the TML range of products.

As an alternative, the part of the SML pipeline laid underground can be protected by other means, e.g. petrolatum tape.

Düker Sealing Flange

Water and gas-proof sealing
for wall and roof penetrations



Düker sealing flange, resistance to pressurized water, tested up to 2.5 bar

DN	for outside diameter	D	L	designation sealing flange	kg	item no.	
						black	transparent
50	45 – 63	145	150	ID 67	1.0	326825	326829
80	64 – 86	167	150	ID 89	1.2	326826	326830
100	111 – 125	320	150	ID 128	1.2	326827	326831
125	135 – 160	320	150	ID 163	1.3	326828	326832
150	135 – 160	320	150	ID 163	1.3	326828	326832

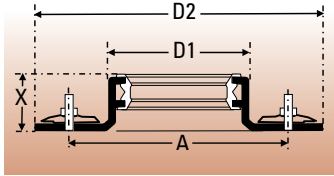
Available on request

Suitable for penetrations through water-tight concrete or in combination with waterproofing sheeting or coating.



The installation of the Düker sealing flange is very easy and fast, even on a finished pipe installation. For wall penetrations there is a transparent version „T“, for roof penetrations a UV-resistant black version „S“. Delivered as an installation set including sealing glue and bonding agent.

SML Roof Penetrations as per DIN 18195-5 with fixed and loose flange with inserted profiled sealing for waterproof sealing between pipe and penetration fitting

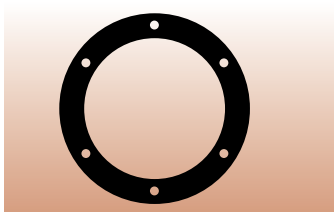


SML roof penetration

DN	D ₁	D ₂	A	X	kg	item no.
80	135	286	215	60	6,1	238836
100	158	324	246	60	6,6	238837
125	188	349	271	60	7,5	238838
150	212	379	296	60	10,5	238839

For roofs with one sealing level, one SML roof penetration fitting is required per pipeline. In case of warm roof penetrations, two penetration fittings are to be used.

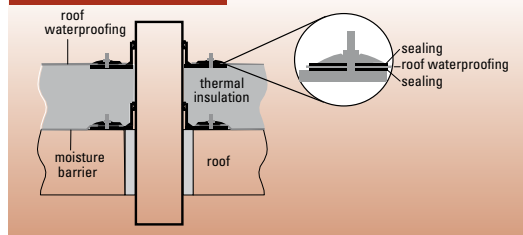
Sealings to pinch in highly polymeric roofing paper



sealing for SML roof penetration

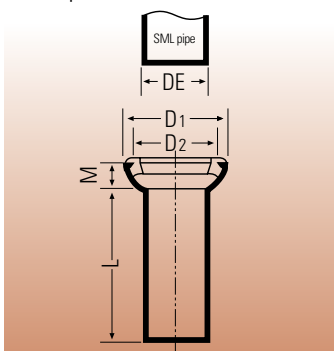
DN	kg	item no.	
		EPDM	NBR
80	0,2	238830	238833
100	0,3	238831	238834
125	0,3	238832	238835
150	0,4	238840	238841

installation example



For each SML roof penetration, two sealings are to be used. The material of the sealings (EPDM or NBR) should be decided in co-operation with the manufacturer of the roof waterproofing. The sealings are not automatically included in the delivery of the roof penetration.

SML Connections with short socket and inserted rubber profile seal

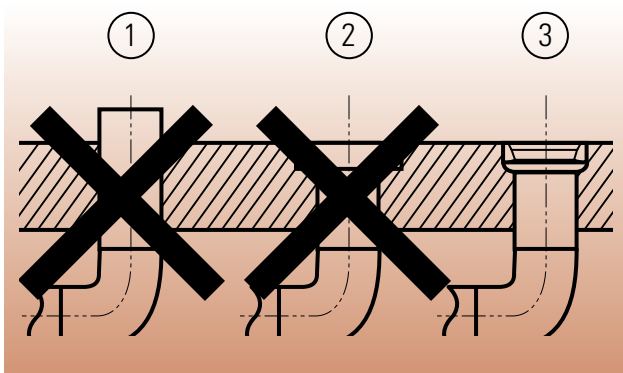


SML connection with short socket

DN	D ₁	D ₂	L	M	DE	kg	item no.
100	144	125,5	250	40	110	3,4	662194
125	172	151,5	250	42,5	135	4,6	662204
150	201	178,5	250	45	160	6,1	662214

SML connections at the bare ceiling.

SML pipe imbedded in concrete, where the continuation above the bare ceiling can only be carried out later.



Example no. 1:

Pipe openings are easily tripped over, which can lead to injuries or damage.

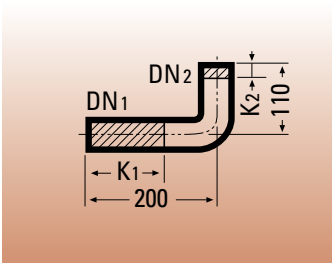
Example no. 2:

the space is saved for the coupling. An enlargement is usually inevitable.

Example no. 3:

The socket connection piece is imbedded in concrete at the same level with the upper edge of the bare ceiling and protected by a sealing hood. The inserted sealing guarantees an easy and unproblematic later continuation.

SML Connecting Bends 90°
for sinks and urinals

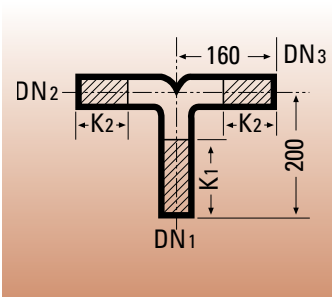


SML connecting bend long DIN 19522

DN		K1*	K2*	kg	item no.
1	2				
50	x 40 long	120	20	1,4	661744
50	x 50 long	120	25	1,5	661754
50	x 60 long	120	30	1,7	661764

* dimension for maximum cut-back

SML Connecting Y-Pipes 90°
for wash basins etc.

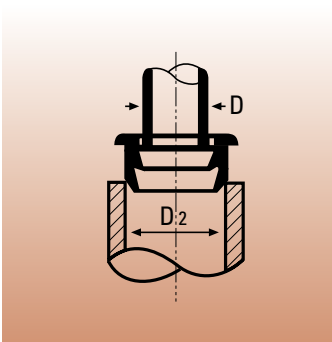


SML connecting Y-pipe DIN 19522

DN			K1*	K2*	kg	item no.
1	2	3				
50	x 50	x 50	125	85	2,5	661794

* dimension for maximum cut-back

Rubber connections

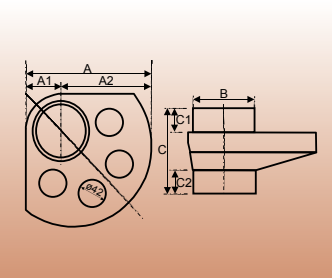


Rubber connections

for SML-bend DN	D ₂ (connecting pipe)	D	marks**	item no.
50 x 40	40	28-34	40 / 30 klein	100088
50 x 50 / 40 x 50	50	28-34	40 / 30 groß	100125
50 x 50 / 40 x 50	50	38-44	40 / 40	100089
50 x 60	60	28-34	50 / 30	100092
50 x 60	60	38-44	50 / 40	100091
50 x 60	60	48-54	50 / 50	100090

** Please note: the rubber push-in connectors for the bends 40x50, 50x50 and 50x60 bear marks which differ from the nominal widths.

SML Manifold Connectors



SML manifold connector

DN	A	A1	A2	B	C	C1, C2	kg	item no.
100	234	65	169	110	145	40	4,6	214089
150	270	90	180	160	185	60	5,2	240417

The Düker SML Manifold Connector simplifies plumbing by collecting up to three (DN 150) or four (DN 100) connections from various sources such as bathtubs, wash basins, bidets, urinals, showers and sinks to a singular point above the finished floor level.

It permits the connection of 32 mm (1 ¼", OD 36 mm), 40 mm (1 ½", OD 43 mm) and/or 50 (2", OD 56 mm) plastic waste inlets to a SML pipe stack. It is supplied with rubber grommets which can be cut to these diameters along corresponding grooves in the grommets. The grommets need to be installed with a silicone sealant.

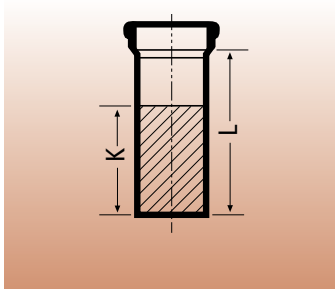


Further connection possibilities for sanitary objects to SML DN 50, 70 and 80

SML fittings	connection	connecting pipe (outer diameter)
SML bends 88°, DN 50	rubber connector size 40/30 groß (large)	28–34 mm
SML branches 88° with DN 50 outlets	rubber connector size 40/40 Düker EK Fix connector DN 50	38–44 mm 40–56 mm
SML bends 88°, DN 70		
SML bends 88°, DN 70 with long spigot	Düker EK Fix connector DN 70	56–75 mm
SML branches 88° with DN 70 outlets		
SML bends 88°, DN 80	Düker EK Fix connector DN 80	56–75 mm / 75–90 mm
SML bends 88° with DN 80 outlets		

WC Connections DN 100 with Special Sockets and Rubber Seals as per DIN 4060

SML WC Pipes

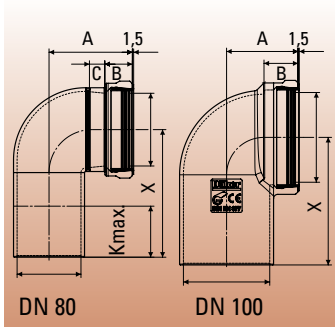


SML WC pipe 225 mm length

DN	plastic pipe connection DN	L	K*	kg	item no.
80	90 (OD 90)	400	300	4,0	663724
100	100 (OD 110)	225	170	3,5	663734

* dimension for maximum cut-back

SML WC Bends 90°

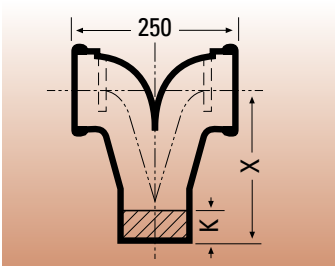


SML WC bend 150 mm length

DN	plastic pipe connection DN	X	A	B	C	K max.*	kg	item no.
80	90 (OD 90)	150	98	55	15	60	2,2	662794
100	100 (OD 110)	150	84	44	–	–	2,6	662684

* dimension for maximum cut-back

SML WC Y-Pipes 90°
only for vertical installation

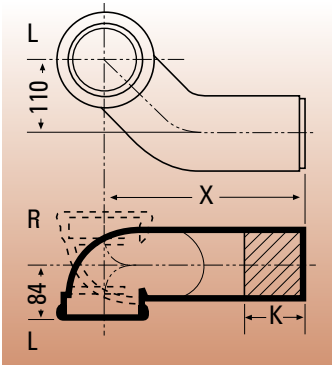


SML WC Y-pipe 90°

DN	plastic pipe connection DN	X	A	K*	kg	item no.
100	100 (OD 110)	225	250	50	5,8	662474

* dimension for maximum cut-back

SML WC Bends 90° Offset for horizontal installation

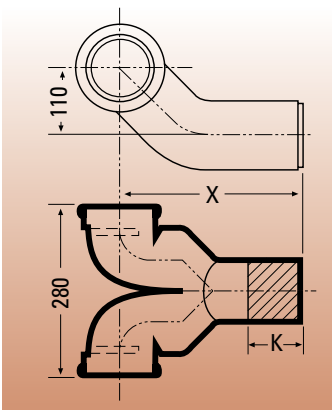


SML WC bend 90° offset

DN		plastic pipe connection DN	X	K*	kg	item no.
100	R = right version	100 (OD 110)	295	90	5,6	663804
100	L = left version	100 (OD 110)	295	90	5,6	663794

* dimension for maximum cut-back

SML WC Y-Pipes 90° Offset for horizontal installation

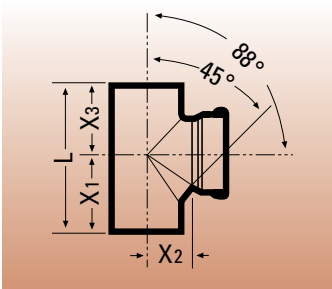


SML WC Y-pipe 90° offset

DN		plastic pipe connection DN	X	K*	kg	item no.
100		100 (OD 110)	295	90	7,8	662994

* dimension for maximum cut-back

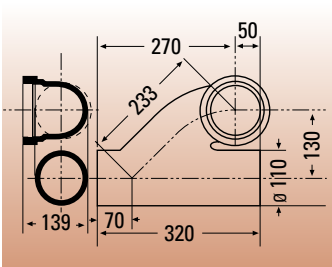
SML WC Branches 88°



SML WC branch 88°

DN		plastic pipe connection DN	X ₁	X ₂	X ₃	L	kg	item no.
100 x 100		100 (OD 110)	115	75	105	220	3,5	663904

SML WC Branches for Modernisation of old buildings



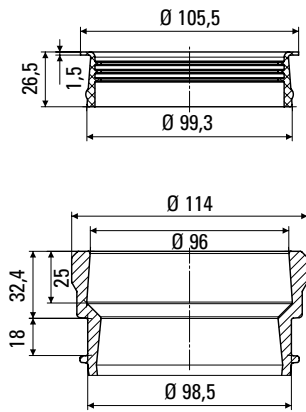
SML WC branch for modernisation

DN	version	plastic pipe connection DN	kg	item no.
100	left	100 (OD 110)	7,0	662164
100	right	100 (OD 110)	7,0	662174

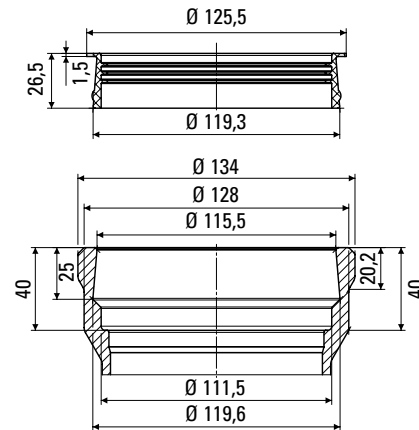
illustration: right version



Dimensions of Special Sockets and Rubber Joints



WC-socket for plastic pipe connection DN 90
item no. rubber joints separately: 236685



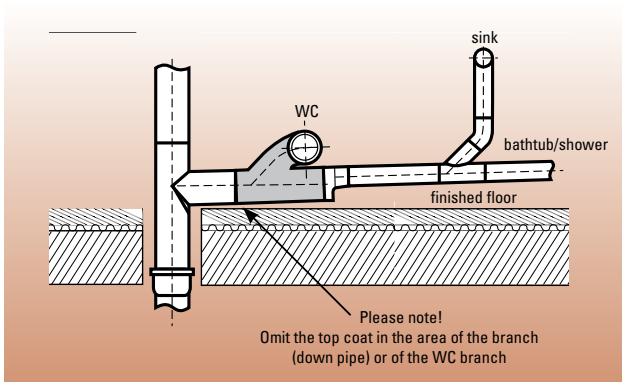
WC-socket for plastic pipe connection DN 100
item no. rubber joints separately: 100000

Installation examples

SML WC branch for modernisation of old buildings. This special branch is meant for connecting a standing WC when laying SML pipe onto an already finished floor (e.g. when modernising an old building). With use of this WC branch, it is possible to lay the collective connecting pipe onto the existing floor. The top coat in the area of the branch (down pipe) must be omitted. The connection height of a standing WC with horizontal outlet is generally 180 mm from the middle of the WC outlet to the upper edge of the finished floor. A customary WC connecting piece (outer dimension 110 mm, in plastic) is necessary for the connection of the WC outlet to the SML connecting socket.

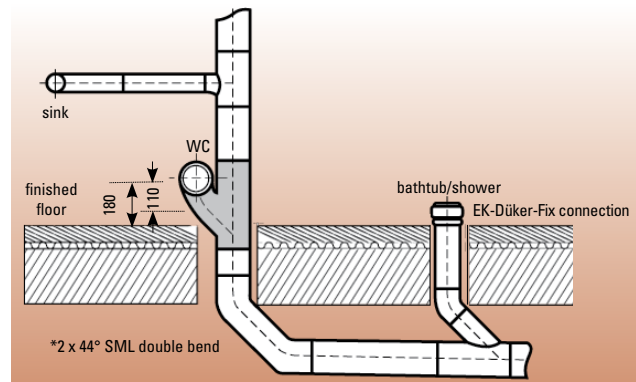
Example 1:

Installation of the branch into a collective connecting pipe for connection of a standing WC with horizontal outlet.



Example 2:

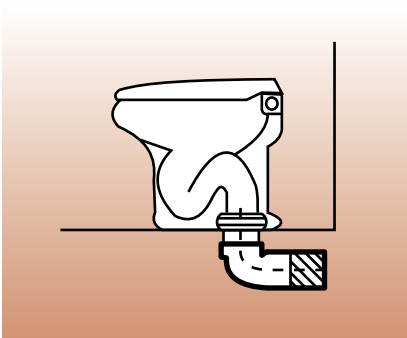
Installation of a branch into a down pipe for the connection of a standing WC with horizontal exit. Only surface-cistern, close-coupled cistern or flushing valve possible.



* Installation guideline for waste water down pipes as per German DIN 1986:

„Foot bends of 88° ± 2° are permitted for down pipes which do not run through more than three storeys or which are not longer than 10 m and which pass over to horizontal pipes.“ However, we recommend using the 2 x 44° double bend for sound insulation reasons.

Connection examples standing WC



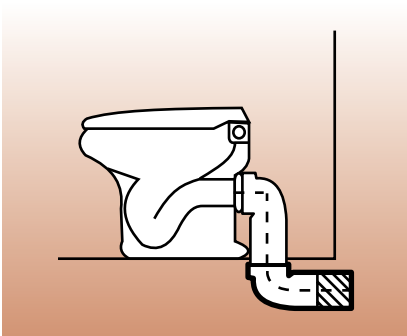
1. Standing WC with hidden vertical outlet.
Connection to a cast iron WC connection bend with a plastic WC connection piece.

Installation notes for WC connectors

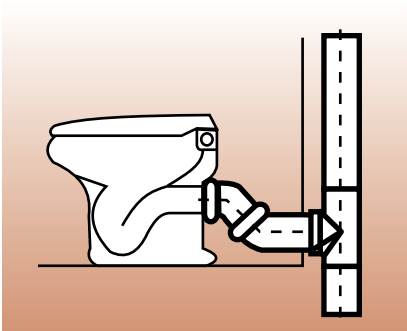
In general: When connecting WC connectors to down pipes we recommend SML branches 88° with 45° access angle which offer the best draining conditions.

Connecting pipes of WCs should be branched into the down pipes so that the difference in height between the water level of the WC siphon and the base of the connecting pipe at the junction into the down pipe is at least the DN (100 mm for DN 100). Please always note this rule when connecting lavatories with horizontal outlets to the wall.

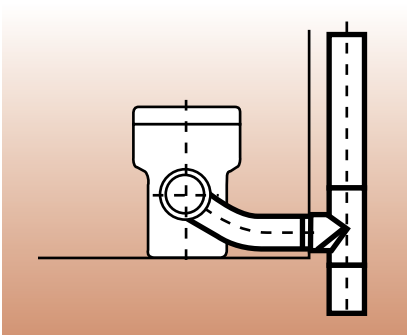
As per current state of the art, standing WCs are only supplied with vertical or horizontal outlet. Plastic WC connecting pieces Ø 110 mm with sealing lips or compression connections are used for joining the WC outlet to the cast iron (bend 22°, 45° and 90° as well as straight connecting pieces).



2. Standing WC with horizontal outlet.
Connection to a cast iron WC connection bend with a plastic WC connection bend 90°.



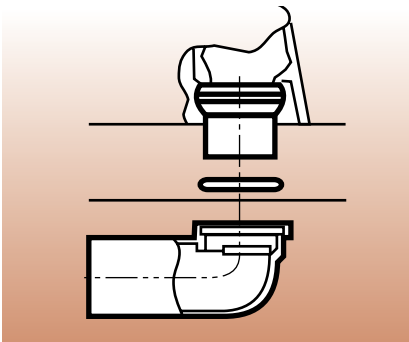
3. Standing WC with horizontal outlet.
Wall connection to a cast iron WC branch 88° in a down pipe. The difference in height of 100 mm between the water level of the WC odour trap and the base of the connecting pipe recommended in this case is achieved by putting two plastic connecting pipes 45° into one another. The normal SML branch DN 100 88° with Düker-Fix connection can be used for wall connection instead of the WC branch.



4. Standing WC with horizontal exit. Wall connection on the side with the down pipe. The recommended difference in height in the connecting pipe is achieved by a cast iron WC bend which shows an offset of 110 mm. The WC with a straight plastic WC connection piece is connected to this bend.



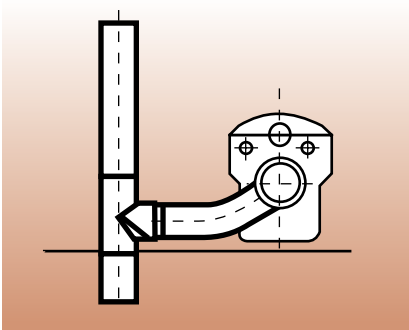
Connection examples standing WC / wall WC



5. Connection detail: Plastic WC connection piece, cast iron WC connection bend with special socket and rubber seal.

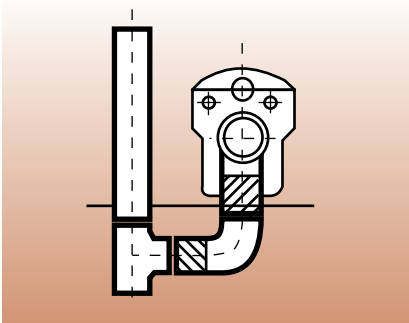
Wall WC connections are carried out by joining straight plastic WC connection pieces \varnothing 110 mm and sealing lips to cast iron WC connection pieces with special socket and sealing ring.

The connection may not be carried out directly to the down pipe, but only via bends or bend combinations which consider the difference in height of at least 100 mm.

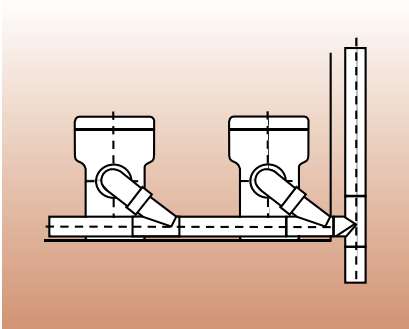


6. Wall WC connection with cast iron WC connection bend and plastic WC connection pieces.

The cast iron WC connection bends which show an offset of 110 mm and can be connected (almost) horizontally to a SML branch 88° guarantee an optimum of draining conditions. The simple WC connection bends should only be used when the given difference in height is reached due to the arrangement of the connecting pipe (refer to installation example no. 7). The simple WC double socket connector for the double-sided connection of wall WC is only intended for vertical arrangement since otherwise washing-ins from both sides would occur.



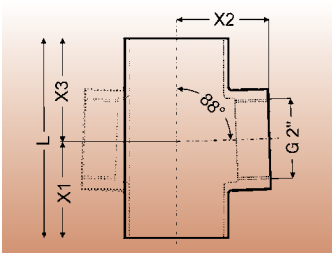
7. Wall WC connection with cast iron WC connection bend, a SML bend 88° with spigot and a plastic WC connection piece.



8. Standing WC with 4.5 or 6 l flush tank with plastic bend DN 90, EK-Düker-Fix coupling DN 80 and branch 45° DN 80. Both horizontal and down pipe are also in DN 80.

Attention: this solution is not approved in all countries. If DN 80 cast iron pipes are not admissible for toilet drainage in your country, we recommend to connect the DN 90 plastic bend to a DN 100 cast iron branch via a transition coupling by Muecher (www.muecher.com).

SML Boss Pipes 88°

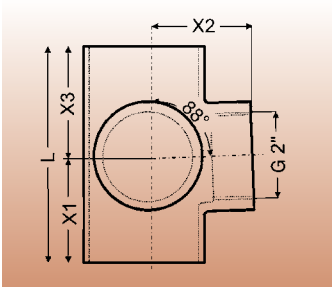


SML single/double boss pipe 88°

DN	X1	X2	X3	L	kg single	kg double	item no. single	item no. double
50	68	54	72	140	1,0	–	240581	–
70	71	64	74	145	1,2	–	231374*	–
100	77,5	80	77,5	155	1,9	2,3	100267	100266*
150	87,7	104	87,5	175	3,8	4,8	232746	237738

* obsolete model

SML Corner Boss Pipes 88°

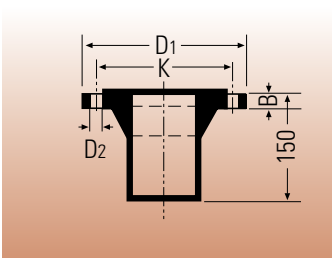


SML corner boss pipe 88°

DN	X1	X2	X3	L	kg	item no.
100	75	80	75	150	2,2	100318*

* obsolete model

SML Connectors with Flange



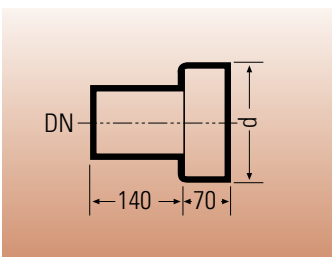
SML connector with flange DIN 19522

DN	D ₁	D ₂	B	K*	screws 8 pcs each	kg	item no.
100	220	18	24	180	M16	6,2	665934
125	250	18	26	210	M16	8,4	665944
150	285	22	26	240	M20	9,5	665954
200	340	22	26	295	M20	14,5	665964

Delivery without screws and seals

*8 holes, DN 100 up to DN 150: PN 10/16; DN 200: PN 10; as per EN 1092-2

SML Connections for Vitrified Clay Pipes



SML connection for vitrified clay pipes DIN 19522

DN	d	kg	item no.
100	159 ± 2,0	4,9	664924
125	187 ± 3,5	6,7	664934
150	218 ± 3,5	9,7	664944
200	278 ± 3,5	13,3	664954

Connections for these: clay pipe A ring or Tecotect-se-S seal

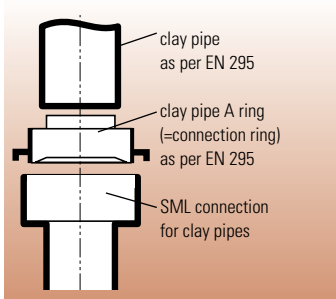
Please note: Connections for vitrified clay pipes are mostly used in underground installation.

In this case please use the corresponding item of the TML or MLK-protec product range.



Connections of SML Pipes to other Soil Pipes

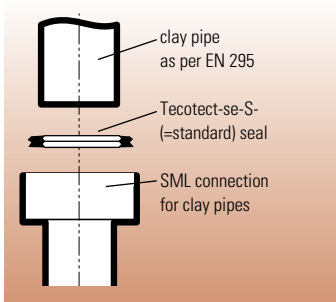
Vitrified Clay Pipe
(normal wall thickness)
to SML-pipe DN 100 to 200



Clay pipe A ring EN 295	
DN	item no.
100	100312
125	100313
150	100314
200	100315

for SML connection for clay pipe.

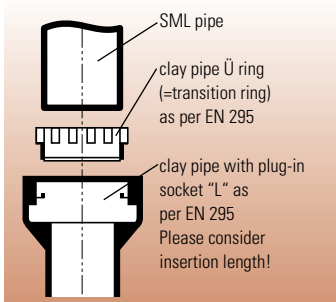
Vitrified Clay Pipe
(normal wall thickness)
to SML-pipe DN 100 to 200



Tecotect-se-S sealing	
DN	item no.
100	102567
125	102568
150	102569
200	102570

Tecotect-se-S-seal for SML connection for clay pipe.

SML Pipe to Vitrified Clay Pipe
with push-in socket "L" as per
EN 295 DN 100 to 200

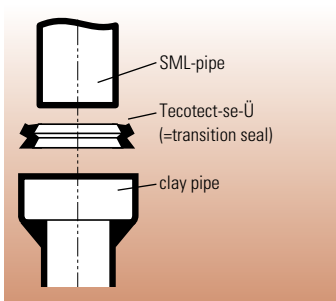


Clay pipe Ü ring EN 295	
DN	item no.
100	100295
125	100296
150	100297
200	100298

Clay pipe transition ring "clay pipe Ü ring" EN 295 (UR) for connecting SML to clay pipes with push-in socket "L" as per EN 295-1, jointing system "F".

For connection SML DN 200 and DN 250 to clay pipe with push-in socket "K" as per EN 295-1, jointing system "C", we recommend the transition ring of company Mücher (www.muecher.com).

SML Pipe to Vitrified Clay Pipe
(normal wall thickness) without
pre-finished seal DN 100 to 200

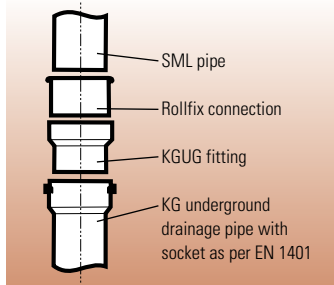


Tecotect-se-Ü sealing	
DN	item no.
100	102573
125	102574
150	102575
200	102576

Tecotect-se-Ü-seal for connecting SML to clay pipes without pre-finished sealing.

Connections of SML Pipes to other Soil Pipes

PVC underground sewage pipe with socket

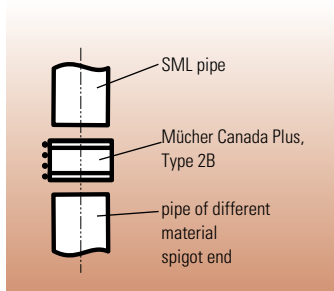


Rollfix joint and KGUG fitting

DN	item no.
100	–
125	–
150	–
200	–

available e.g from the company Otto Haas KG, www.haas.de

Various pipe materials (spigot end)



Mücher Canada Plus, Type 2B

large choice of diameters and pipe materials
when used with compensation rings also for differences in outside diameters

available from the company Muecher Dichtungen GmbH & Co.KG. www.muecher.com







Dükorapid® coupling

DN	D \approx	H \approx	L \approx	item no.
50	71	83	47	218592
70*	91	103	45	218593
80	96	107	47	235494
100	123	135	47	214405
125	152	164	54	218594
150	177	189	54	218595
200	230	240	62	240168

* obsolete model, \approx maximum dimensions after installation.

One screw coupling

Material metal collar: W2, stabilised stainless steel, 1.4510/1.4511
as per EN 10088-2
locks 1.4301 or 1.4510/1.4511

Material locking parts: bolt and square nut steel with zinc lamellae coating,
washer 1.4301 as per EN 10088-2

Material sealing: EPDM

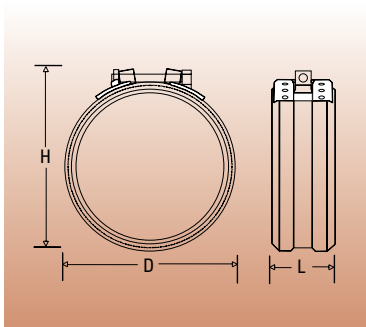
Axial restraint: up to 0.5 bar

Screw size: cylinder head bolt with hexagon socket
DN 50–150: M 8; DN 200: M 10

Torque: DN 50–150: 18 Nm; DN 200: 28 Nm;
if the locks should touch do not tighten any more.

Installation instructions see page 83.

with RAL GEG
quality seal



! OUR RECOMMENDATION !



Dükorapid® Inox coupling

DN	D \approx	H \approx	L \approx	item no.
50	71	83	47	240610
70*	91	103	45	240611
80	96	107	47	240614
100	123	135	47	240615
125	152	164	54	240616
150	177	189	54	240617
200	230	240	62	240618

* obsolete model, \approx maximum dimensions after installation.

One screw coupling for soil installation without additional corrosion protection and for installation outside of buildings.

Attention: particularly aggressive soils may call for an additional corrosion protection (e.g. shrinking hose).

Material metal collar: W5, austenitic stainless steel, 1.4404
as per EN 10088-2
locks 1.4404

Material locking parts: bolt and square nut A4
washer 1.4404 as per EN 10088-2

Material sealing: EPDM

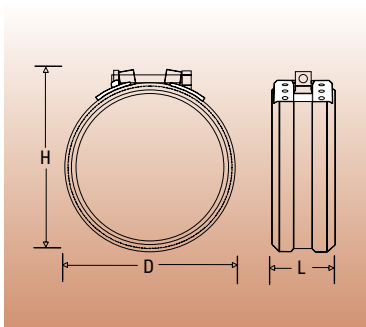
Axial restraint: up to 0.5 bar

Screw size: cylinder head bolt with hexagon socket;
DN 50–150: M 8, DN 200: M 10

Torque: DN 50–150: 18 Nm; DN 200: 28 Nm;
if the locks should touch do not tighten any more.

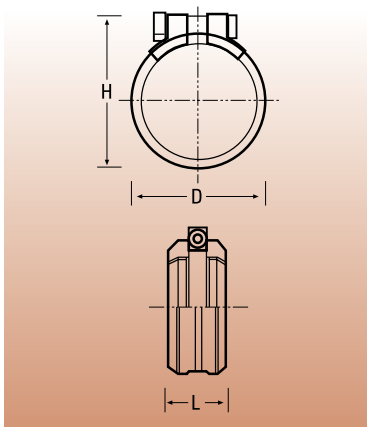
Installation instructions see page 83.

with RAL GEG
quality seal



! OUR RECOMMENDATION !
FOR INSTALLATION UNDERGROUND
AND OUTSIDE OF BUILDINGS





Rapid Inox coupling

DN	D≈	H≈	L≈	item no.
50	70	80	39,5	234826
70*	90	100	39,5	234827
80	95	105	39,5	235472
100	125	135	45,4	234828
125	147	162	54,5	234829
150	172	187	54,5	234830
200	227	244	70,0	234831
250	278	306	91	234832
300	330	359	91	234833

* obsolete model, ≈ maximum dimensions after installation

One screw coupling for soil installation without additional corrosion protection and for installation outside of buildings.

Attention: particularly aggressive soils may call for an additional corrosion protection (e.g. shrinking hose)

Material metal collar: W5, austenitic stainless steel, 1.4571 as per EN 10088-2
locks 1.4571

Material locking parts: bolt, washer, square nut A4

Material sealing: EPDM. NBR on request for waste water containing oil, animal grease, solvents or petrol

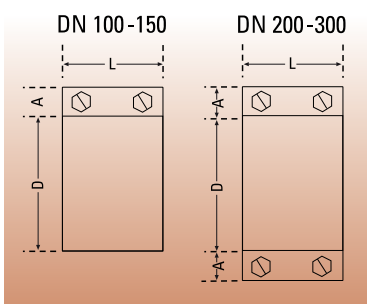
Axial restraint: DN 50–200: up to 0.5 bar; DN 250–300: up to 0.3 bar

Screw size: hexagon socket screw; DN 50–150: M 8; DN 200: M 10

Torque: until both fastening heads come together

Marking: Marking W5 on the metal collar

Installation instructions see page 83.



two parts from DN 200

CV coupling

DN	A	D≈	L	item no.
50	14	65	48	659436
70*	14	85	48	659437
80	14	88	48	235859
100	18	115	54	659438
125	18	140	65	659439
150	18	170	65	659440
200	18	220	78	659441
250	18	286	78	659442
300	18	338	78	659443

* obsolete model, ≈ maximum dimensions after installation

Double screw coupling. The metal collar is opened completely for installation, therefore the coupling is suitable for use in situations with reduced space.

Attention: not suitable for installation near ceiling and wall penetrations with fire rating.

Material metal collar: W2, stabilised stainless steel, 1.4510/1.4511 as per EN 10088-2
locks galvanised steel

Material locking parts: bolts galvanised steel

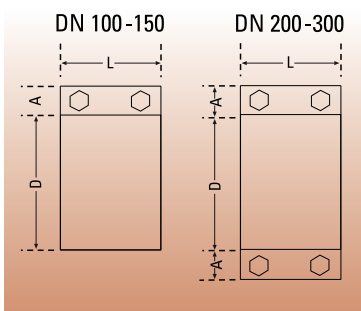
Material sealing: EPDM

Axial restraint: –

Screw size: slotted hexagonal screws; M8, AF 10

Torque: DN 50–80: 6–8 Nm; DN 100–150: 10–12 Nm;
DN 200–300: 15–20 Nm

Installation instructions see page 84.



two parts from DN 200

CE coupling

DN	A	D \approx	L	item no.
50*	14	65	48	100240
70*	14	85	48	100236
100*	18	115	54	100185
125*	18	140	65	100237
150*	18	170	65	100241
200*	18	220	78	100186
250*	18	286	78	100187
300*	18	338	78	100188

* obsolete model, \approx maximum dimensions after installation

Double screw coupling for underground installation (only with additional corrosion protection)
Also available as CV Inox (W5) version, suitable for bridge drainage applications with Düker MLB pipes.

Material metal collar: W4, austenitic stainless steel, 1.4301 as per EN 10088-2
locks austenitic stainless steel, 1.4301 as per EN 10088-2

Material locking parts: bolts A4

Material sealing: EPDM. NBR on request for waste water containing oil, animal grease, solvents or petrol

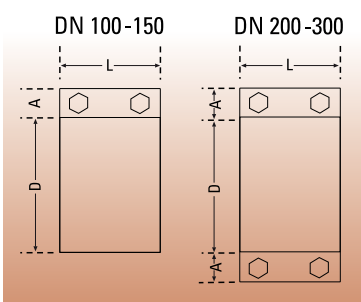
Axial restraint: –

Screw size: hexagonal screws; M8, AF 13

Torque: DN 50–70: 6–8 Nm; DN 100–150: 10–12 Nm;
DN 200–300: 15–20 Nm

Marks: CE, W4

Installation instructions see page 84.



two parts from DN 200

CV Inox coupling

DN	A	D \approx	L	Art.-Nr.
100	18	115	54	239777
125	18	140	65	239778
150	18	170	65	239779
200	18	220	78	239780
250	18	286	78	239781
300	18	338	78	239782
DN 400 up to 600 on request				

Double screw coupling. Suitable in particular for bridge drainage applications with Düker MLB pipes and fittings.

Material metal collar: W5, austenitic stainless steel, 1.4571 as per EN 10088-2
locks 1.4571 as per EN 10088-2

Material locking parts: bolts A4 / 1.4401 as per EN 10088-2

Material sealing: EPDM

Axial restraint: –

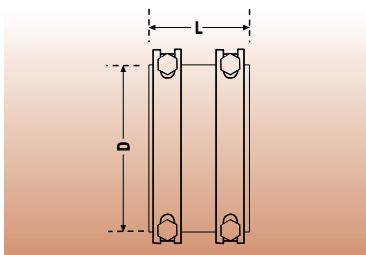
Screw size: hexagonal screws M8, AF13

Torque: DN 100-150: 10 - 12 Nm; DN 200-300: 15 - 20 Nm

Marks: CV Inox, 1.4571 - W5

Installation instructions see page 84.



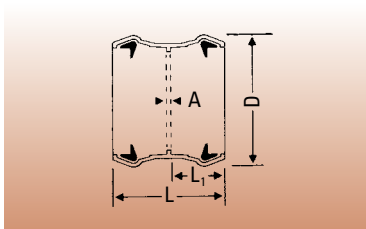
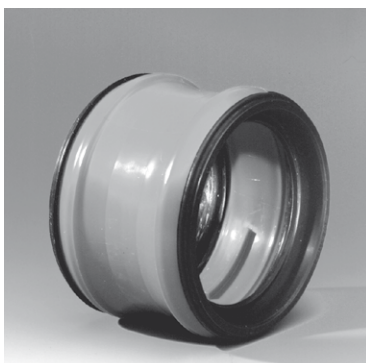


Düker CE dual ring coupling			
DN	D	L	item no.
400	445	110	100307

Double screw coupling for soil installation (only with additional corrosion protection)

- Material metal collar: W4, austenitic stainless steel 1.4301 as per EN 10088-2
- locks austenitic stainless steel, 1.4301 as per EN 10088-2
- Material locking parts: bolts 1.4301
- Material sealing: EPDM
- Axial restraint: –
- Screw size: hexagonal screws M10
- Torque: 35–40 Nm

Installation instructions see page 84.



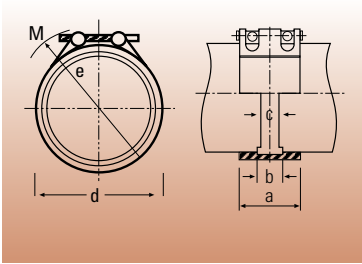
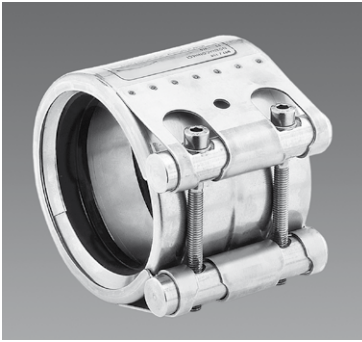
SVE coupling					
DN	D	L	L ₁	A	item no.
50*	77	60	29	2	659468
80*	103,5	65,5	32	2	235483
100*	134	82	39,5	3	659478
125*	161	103	50	3	659479
150*	186	103	50	3	659480
200*	238	114	55,5	3	659481

* obsolete model

Plug connector for soil installation

- Material collar: Polypropylene-CO
- Material locking parts: –
- Material sealing: sealing lips EPDM
- Axial restraint: –
- Screw size: –
- Torque: –

Installation instructions see page 87.



Connect-F Inox coupling

DN	a	b	c	d≈	e≈	item no.
100	98	40	25	130	150	234834
125	113	50	35	165	195	234835
150	113	50	35	185	215	234836
200	138	74	35	240	270	234837
250	138	74	35	305	335	234838
300	138	74	35	360	390	234839
400	139	74	35	460	490	234840
500	140	74	35	565	595	234841
600	139	74	35	665	695	234842

≈ maximum dimensions after installation

Coupling for installation in the soil or outside of buildings

Attention: particularly aggressive soils may call for an additional corrosion protection (e.g. shrinking hose)

Material metal collar: W5, austenitic stainless steel, 1.4571 as per EN 10088-2
locks 1.4571

Material locking parts: bolts 1.4401, screws 1.4404 as per EN 10088-2

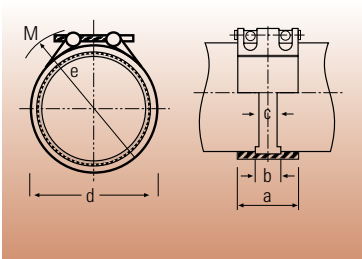
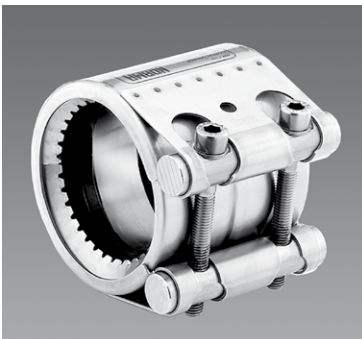
Material sealing: EPDM

Axial restraint: –

Screw size: DN 100: M 8; DN 125–150: M 10; DN 200–600: M 12

Torque: as stated on the coupling

Installation instructions see page 85.



Connect-G Inox coupling

DN	a	b	c	d≈	e≈	item no.
50	78	29	17	85	105	234843
70*	98	40	25	100	120	234844
80	98	40	25	105	125	235482
100	98	40	25	130	150	234845
125	115	50	35	165	195	234846
150	115	50	35	185	215	234847
200	140	67	35	240	270	234848
250	140	67	35	305	335	234849
300	140	67	35	360	390	234850
400	142	67	35	460	490	234851
500	142	67	35	565	595	234852
600	142	67	35	665	695	234853

* obsolete model, ≈ maximum dimensions after installation

Coupling with axial restraint for installation in the soil or outside of buildings

Attention: particularly aggressive soils may call for an additional corrosion protection (e.g. shrinking hose)

Material metal collar: W5, austenitic stainless steel, 1.4571 as per EN 10088-2
locks 1.4571, claw ring 1.4310 as per EN 10088-2

Material locking parts: bolts 1.4401, screws 1.4404 as per EN 10088-2

Material sealing: EPDM

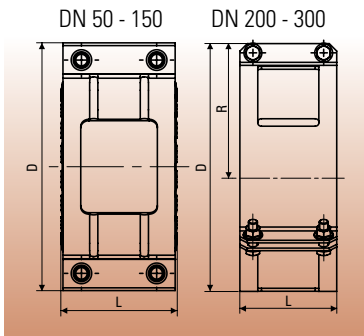
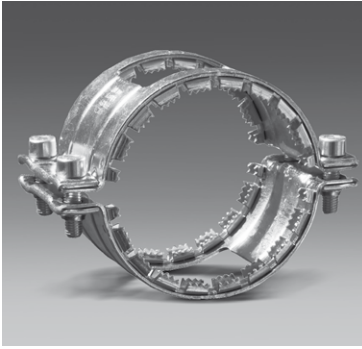
Axial restraint: DN 50–400: up to 10 bar; DN 500: up to 6 bar; DN 600: up to 4 bar

Screw size: DN 50: M 8; DN 70–100: M 10; DN 125–150: M 12; DN 200–600: M 16

Torque: as stated on the coupling

Installation instructions see page 85.





Dürker Kombi grip collar				
DN	D	L	R	item no.
50	125	75	–	235360
70*	148	75	–	235361
80	148	75	–	235498
100	180	85	–	235280
125	210	96	–	235315
150	234	96	–	235316
200	256	110	140	235281
250	331	130	180	216888
300	385	130	208	100304

* obsolete model

Security collar with axial restraint for all Rapid and CV/CE couplings

Material metal collar: galvanised steel

Material locking parts: galvanised steel, yellow chromated 8 µ 8.8

Axial restraint: DN 50–100: up to 10 bar; DN 125–150: up to 5 bar;

DN 200: up to 3 bar; DN 250–300: up to 1 bar

Screw size: DN 50-150 cylinder head screws with hexagon socket;

DN 50-80: M 8 x 30, DN 100-150: M 10 x 40.

DN 200-300 hexagonal screws with washers and self-locking nuts;

DN 200: M 10 x 40; DN 200-300: M 12 x 40

Torque: DN 50-80: 30 Nm; DN 100: 40 Nm; DN 125: 50 Nm;

DN 150-300: 60 Nm*

* The design of the DN 200, 250 and 300 Kombi grip collars is presently being modified. In the course of this modification, the torques will also be changed. Please observe the torques stated on the installation instructions delivered with the product.

OUR RECOMMENDATION!
FOR INCREASED INSIDE PRESSURE

Installation instructions see page 86.



Düker EK Fix coupling

DN	D ₁	D ₂	D ₃	D ₄	D ₅	L	L ₁	L ₂	Ø connection	item no.
50	72	56	30	57	67,5	63	19	40	40–56	100270
70*	92	75	41	77	86,5	77	19	52,5	56–75	100271
80	92	75	41	81	91	77	19	55	56–75	236756
80**	108	90	41	81	93	88	19	60	75–90	235346
100	128	110	78	108	118	95	21	65	104–110	100272
125	145	125	90	132	145	103	26	72	125	100273

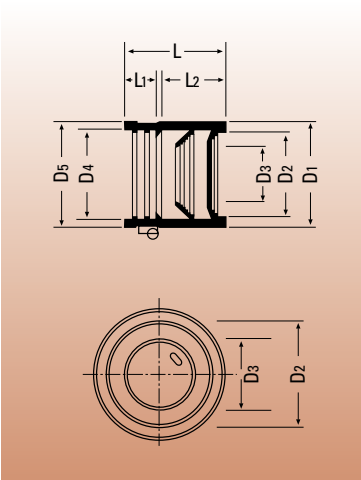
* obsolete model

** reducing DN 90 plastic pipe to DN 80 cast iron pipe is only admissible on a WC connection bend, but not in all countries!

For connecting pipes of PE-HD/PP to cast iron sewage pipes

German Approval no.: Z-42.5-299
 Material: EPDM
 Material locking parts: W2, worm thread clamp stainless steel 1.4016, screw free of chrome (VI)
 Axial restraint: –
 Screw size: cross-slit screw, width 7
 Torque: ca. 2 Nm
 Insertion lengths: DN 50: 42 mm; DN 70: 55 mm; DN 80: 55–60 mm; DN 100: 65 mm; DN 125: 75 mm

Installation instructions see page 88.



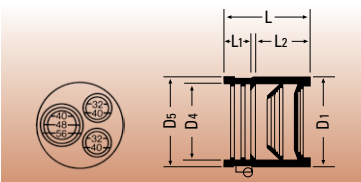
Konfix Multi coupling

DN	D ₁	D ₂	D ₃	D ₄	D ₅	L	L ₁	insertion	item no.
100	134	connections see illustration	108	116	116	90,5	35,5	40	100030

For connecting pipes of other materials to cast iron sewage pipes, up to three connecting pipes

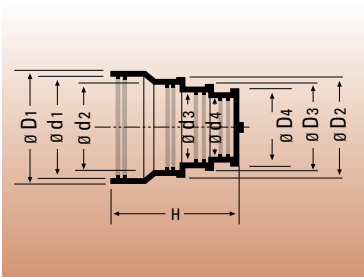
Material: EPDM
 Material locking parts: worm thread clamp stainless steel 1.4016, screw galvanised steel
 Axial restraint: –
 Screw size: worm thread screw SW7
 Torque: 5.0 + 0.5 Nm

Installation instructions see page 88.



For further connection possibilities from plastic pipelines to SML please consider e.g. the Mücher adapter coupling MAC, www.muecher.com.





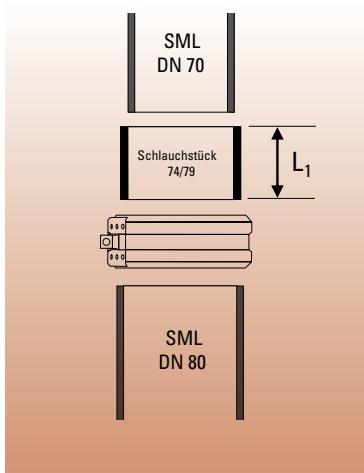
Multiquick coupling

DN	$\varnothing D_1$	$\varnothing D_2$	$\varnothing D_3$	$\varnothing D_4$	$\varnothing d_1$	$\varnothing d_2$	$\varnothing d_3$	$\varnothing d_4$	H	item no.
100 x 70	117	111	101	81	108	104	93	74	107	234859

Transition coupling for socketless cast iron sewage pipes DN 100 or old cast iron socket pipes DN 100 with an exterior diameter of max. 115 mm to other materials with an exterior diameter of 72 - 110 mm.

- Material: EPDM
- Material locking parts: worm thread clamps stainless steel 1.406, screw galvanised steel
- Axial restraint: -
- Screw size: worm thread screw SW7
- Torque: 5.0 + 0.5 Nm

Installation instructions see page 89.



Transition coupling

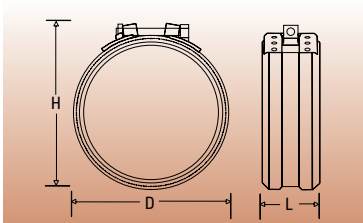
DN	$D \approx$	$H \approx$	L	L_1	item no.
70 x 80	96	107	47	30	235347

\approx maximum dimensions after installation

Transition coupling for socketless cast iron drainage pipes and fittings DN 70 and DN 80

- Material metal collar: W2, stabilised stainless steel, 1.4510/1.4511 as per EN 10088-2 locks 1.4301 or 1.4510/1.4511
 - Material locking parts: bolt and square nut steel with zinc lamellae coating, washer 1.4301 as per EN 10088-2
 - Material sealing: EPDM
 - Axial restraint: -
 - Screw size: cylinder head bolt with hexagon socket, M8
 - Torque: 18 Nm
- If the locks should touch do not tighten any more.

Installation instructions see page 90.

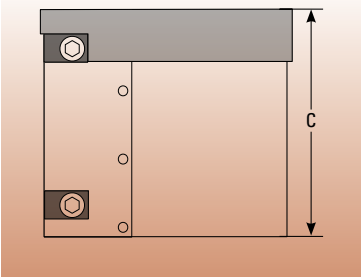
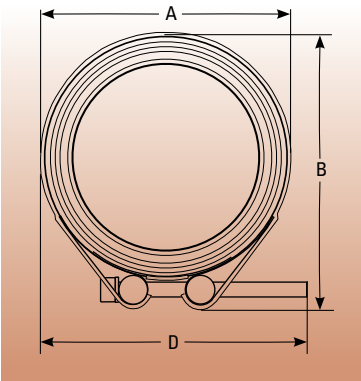




Düker Fire protection coupling BSV 90

DN	A≈	B≈	C	D≈	core drilling≈	item no.
80	106	115	135	125	160	237693
100	133	145	135	140	180	237694
125	160	175	150	155	200	237695
150	188	198	150	170	240	237696

≈ maximum dimensions after installation



Two-screw coupling for installation in ceiling penetrations with fire rating

Fire resistance:	EI 90 as per classification report no. 0672-901 7132 000/Re/Pk of MPA Stuttgart
German Approval no.:	ABZ DIBt Z.19.17-1893
Material metal collar:	stabilised stainless steel, 1.4510/11 as per EN 10088
Material locking parts:	galvanised steel
Material sealing:	EPDM
Material plastic pipe insert:	PE-HD / PP
Material intumescence material:	expandable graphite on glass fibre fabric, intumescing at approx. 150°C
Axial restraint:	–
Screw size:	M8
Torque:	15 to 17 Nm (use torque wrench)

Installation of the coupling similar to Rapid couplings (see page 83). Fasten the screws alternately and evenly. The upper 20–40 mm with the intumescence material strip must be placed in the ceiling; the lower two thirds must protrude below the ceiling (see page 28).



SML couplings: recommended application areas

		Nominal size DN	axial restraint up to ... bar	in the building	in concrete
1.	Dükorapid® coupling	50–200*	0,5		
2.	Dükorapid® Inox	50–200*	0,5		
3.	Rapid Inox coupling	50–200*/250–300	0,5/0,3		
4.	Düker CV coupling	50–300	–		
5.	CE coupling	50–300	–		
6.	CV Inox coupling	100–600	–		
7.	Düker CE coupling	400	–		
8.	Connect-F Inox coupling	100–600	–		
9.	Connect-G Inox coupling	50–400/500/600	10/6/4		
10.	SVE coupling	50–200	–		
11.	Düker EK Fix coupling	50–125	–		
12.	Multiquick coupling	100	–		
13.	Düker Kombi grip collar	50–100/125–150/200/250–300	10/5/3/1		

In case of unclarity
please consult with
the factory

*DN 200:
grip collars of changes
of direction



Assembling and Installation Instructions for Düker Couplings

Waste water and ventilation pipelines are on principle sloping pipelines without interior pressures. However, it is not impossible for pressure to develop in the pipelines under certain circumstances.

The installation standard says the following:

EN 12056-1, section 5.4.2, water and gas tightness:

Drainage systems shall be water and gas tight against the operational pressures. Pipework systems installed inside buildings shall not release vapours and foul air into the building.

EN 12056-5, section 6.3, fixing and supporting:

Pipelines with joints, which allow longitudinal movement, shall be fixed and/or supported in such a way as to ensure that during service the joint cannot become unintentionally disconnected. Reaction forces shall be considered

According to EN 877 (product standard), section 4.7.5 water tightness, couplings may not exhibit any visible leakage under test conditions with hydrostatic inside pressure, under the following conditions:

- all tests are done in a strain-relieved state, i.e. the pipes are secured against excessive axial displacement
- joints up to and including DN 200, aligned or deflected up to 3°: up to 5 bar
- joints surpassing DN 200, aligned or deflected up to 1°45': up to 3 bar
- joints subject to shear force of 10 DN in newtons, aligned: up to 1 bar
- joints which will only carry limited pressures because of the intended use and installation, aligned or deflected up to 3°: up to 0.5 bar.
- joints connecting to sanitary ware: up to 0.1 bar

As these tests are carried out while the pipes are secured against axial displacement, these test pressures cannot be applied directly to installations in a building. For the actual application, rather than the pressure tightness, what counts is the thrust resistance or axial restraint of the couplings, or the information what measure can be taken in order to obtain the required axial restraint. These measures can be grip collars, fixings, abutments etc. The table of page 76 gives the required information.

Installation instructions and admissible pressure loads on Düker SML couplings

Special requirements are to be considered for drainage pipelines which can be exposed to higher inside pressures than 0.5 bar. This concerns e.g.

- pipelines in the back water area
- overload areas of rain water pipelines inside buildings
- pipelines of a siphonic system
- waste water pipelines leading through several basement storeys without further outlets
- pressure pipelines at waste water pumps

Pipelines in the Back Water Area

Pressure that is caused by a backflow from the canalisation can make connections slip. Therefore pipelines below the back water level must be treated as follows:

Waste water up to 0.5 bar: On Düker Rapid couplings DN 100 to DN 150, no additional measures are required. On Düker Rapid couplings DN 200, changes of directions must be secured with appropriate Düker grip collars.

Waste water above 0.5 bar: All Düker couplings must be secured with appropriate grip collars.

Waste water pipelines connected to a mixed water canalization: All Düker couplings must be secured with appropriate grip collars.



Gravity Drainage Rainwater Pipelines

EN 12056-3, section 7.6.4 says:

Internal rainwater pipes shall be able to withstand the head of water likely to occur in the event of a blockage.

In vertical rainwater stacks open above, the water column cannot exert any axial forces even in case of a blockage. Here, the pipes need only be secured against sideways movement out of the axis, through sufficient fixing.

Collection and connection lines below the roof do not need any securing with grip collars either.

However, at offsets in the rainwater stack, at changes of direction, in the lower part of rainwater collection lines as well as pipeline sections in the back water area, the couplings must be secured with appropriate grip collars.

If special information for high-risers should be required, please ask for our Technical Specifications waste water or rain water in high-risers.

Siphonic Drainage Systems

Please refer to pages 100 to 103.

Waste Water Pipelines Leading Through Several Basement Storeys

If there are no outlets over the length of several storeys, the pressure conditions correspond to those of a gravity drainage rainwater pipeline, and the same measures are to be taken.

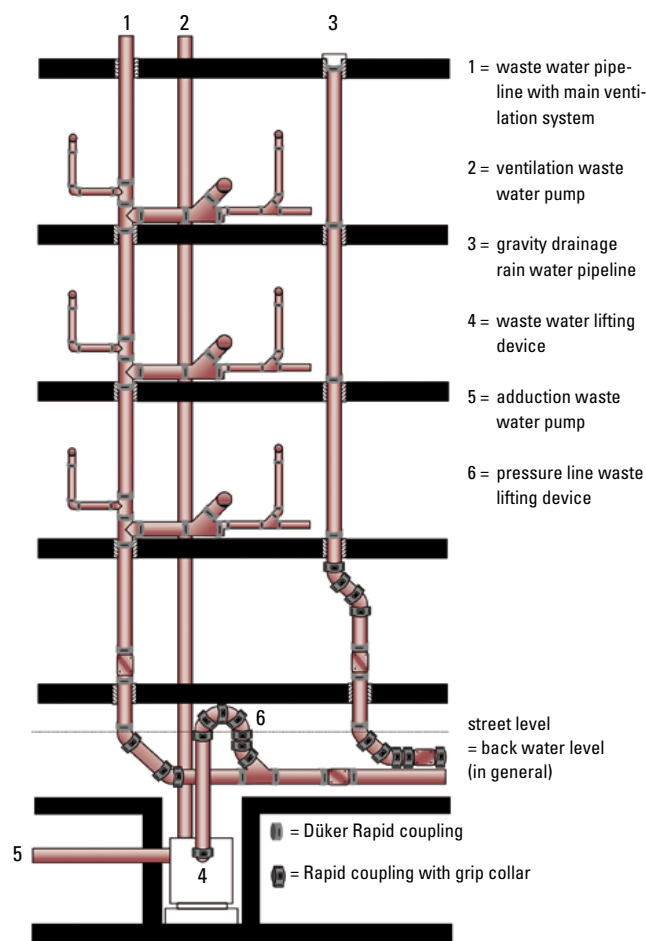
Pressure Pipelines at Waste Water Lifting Devices

Pressure pipelines can be made of Düker cast iron drainage pipes and fittings with Rapid couplings and Kombi grip collars up to DN 100. As an alternative Connect-G couplings DN 50 – 400 can be used. The admissible pressure load is max. 10 bar in both cases. The reason for the assumption of 10 bar pressure load is that when the pump is switched off, there are often pressure peaks that can be much higher than the normal pump pressure. In order to reduce these pressure peaks, it is recommendable to have floating backflow preventers with a counter weight available from suppliers of waste water pumps.

On principle it is necessary to have compensators in order to prevent the waste water pump's vibrations from being transmitted onto the pressure pipe. The fixings must be carried out in accordance with the Düker instructions. Pipe clamps should be mounted either direct to the wall or ceiling or in case of larger distances onto corresponding rails or supports. The clamps must be fixed with M16 rods.

Reducers may not be installed directly at the pressure outlet (elastic pipe coupling) of the waste water pump.

In case of doubts on the pressure line we recommend to consult us or the manufacturer of the pump.



Dükorapid® Coupling / Dükorapid® Inox Coupling / Rapid Inox Coupling



Dükorapid® / Dükorapid® Inox Coupling



Rapid Inox Coupling

Installation Instructions:



1. Slide the complete coupling onto the end of the pipe or fitting, up to the central ring of the sealing.



2. Push the second pipe or fitting into the other end of the coupling.



3. Tighten the hexagon socket screw with a screw wrench, a ratchet or a customary powered screw driver.

Installation Instructions Rapid Inox DN 250-300:



1. Slide the rubber sealing onto the pipe, up to the central ring of the sealing.



2. Push in the second pipe end or fitting and set it onto the central ring.



3. Lay the metal collar around the sealing. The collar may be opened no more than twice onto a width of 120% of the pipe outside diameter.



4. Insert the bolt head with the washer disc into the fastening head.



5. Tighten the hexagon socket screw with a screw wrench, a ratchet or an impact wrench until both fastening heads come together.

Dükorapid® and Dükorapid® Inox
DN 50–150: 18 Nm;
DN 200: 28 Nm. If the locks should come
together do not tighten any more

Rapid Inox: until both fastening heads
come together



CV Coupling / CE Coupling / CV Inox coupling



Installation Instructions:



1. First of all, push the sealing collar onto the lower pipe end so that the inner sealing ring rests on top of the cut edge of the pipe.



2. Fold over the upper half of the sealing collar.



3. Place the next pipe or fitting even onto the inner ring and fold back the sealing collar.



4. Wrap the metal sleeve around the sealing collar.



5. Alternately tighten both bolts. The plates must push together parallel in order to avoid deformation.

DN 50 – 80:	6 – 8 Nm
DN 100 – 150:	10 – 12 Nm
DN 200 – 300:	15 – 20 Nm

Connect-F Inox / Connect-G Inox

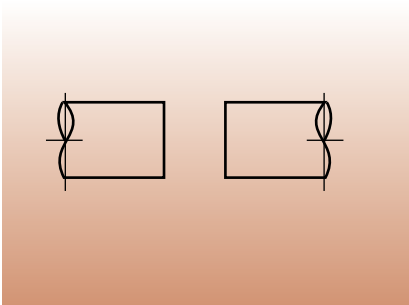


Connect-F: not resistant to axial forces; pressure-resistant up to 10 bar if the axial forces are absorbed by anchorage.

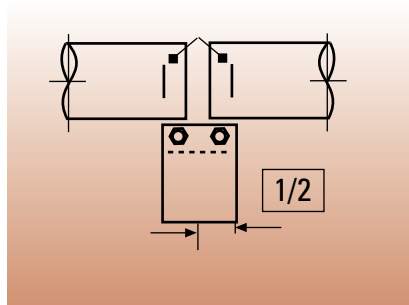


Connect-G: resistant to axial forces up to 10 bar

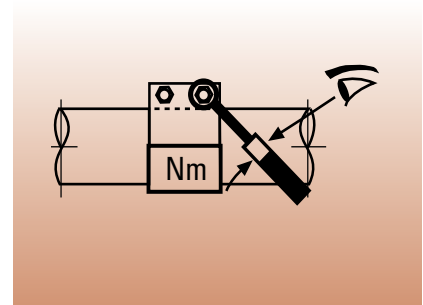
Installation Instructions:



1. Remove any burrs and clean the pipe ends thoroughly in the sealing zones.



2. Mark half the coupling's width on both pipe ends.



3. Slide the coupling on one pipe and push the other pipe end into it. Align the coupling between the marks. Tighten the bolts loosely and alternately with a ratchet spanner or an Allen key. Connect-G may not be twisted after the teeth have engaged with the pipe. Tighten the bolts alternately with the torque wrench in accordance with the torque stated on the type plate (see coupling).



Düker Kombi Grip Collar / Düker Grip Collar



Düker Kombi grip collar
Security collar with axial restraint for all Rapid, CV and CE couplings at more than 0.5 bar internal pressure

The axial force resistance necessary for SML pipes and fittings is obtained by the added protection of the coupling with a grip collar.

These security collars with axial restraint take up the reaction forces which may occur at an internal pressure load of up to 10 bar (see table) = 100 m water column. This means: the SML pipes and fittings which are connected with a coupling and additionally with a grip collar are protected against slipping due to internal pressure without need of a special fastening to the solidium at the connections. If pressures up to 0.5 bar are to be expected, it is sufficient to protect the coupling at changes of direction, e.g. with a grip collar, or to use Rapid couplings.

If pressures of more than 0.5 bar are to be expected, all Rapid, CV and CE couplings in the pressure-stressed areas are to be secured with grip collars unless the pipe components are otherwise secured thrust-resistant.

Installation instructions

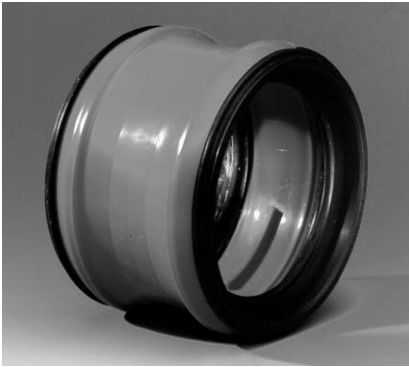
1. The claw segments must evenly wrap around the pipe couplings. Therefore screw the segments together loosely at first and watch out that the claw inserts do not touch the metal collar of the coupling.
2. Then alternately crosswise tighten the screws or nuts, so that the fastening parts are drawn together parallel and with the same distances. Adhere to the torques stated in the table for each screw, even if the fastening parts already touch at inferior torques.

item	DN	axial restraint up to ... bar	no. of segments	screws	screw dimension	torque Nm
Düker Kombi grip collar	50	10	2	round head screws with hexagon socket	M 8 x 30	30
	70	10	2		M 8 x 30	30
	80	10	2		M 8 x 30	30
	100	10	2		M 10x40	40
	125	5	2		M 10x40	50
	150	5	2		M 10x40	60
	200	3	3	hexagonal screws with washers* and selflocking nut	M 10x40	60*
	250	1	3		M 12x40	60*
	300	1	3		M 12x40	60*

* important: do not forget to insert the washers under the screw heads and nuts!

* The design of the DN 200, 250 and 300 Kombi grip collars is presently being modified. In the course of this modification, the torques will also be changed. Please observe the torques stated on the installation instructions delivered with the product.

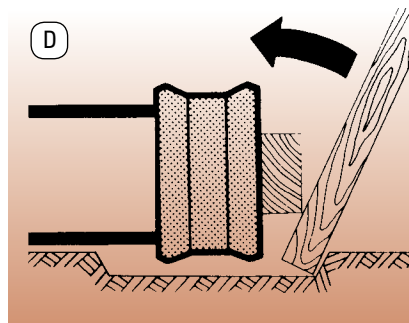
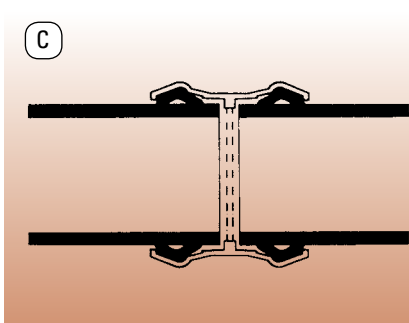
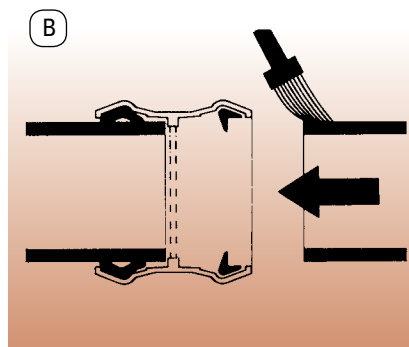
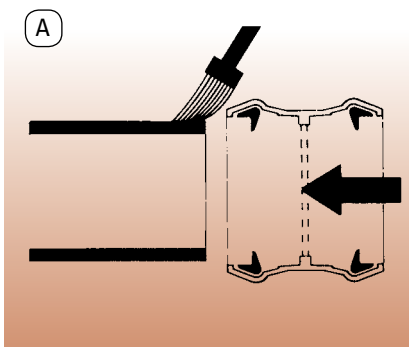
SVE Coupling



Push-in coupling for underground pipes. Double socket in polypropylene-CO with two sealing lips in EPDM.

Installation instruction:

1. Make sure that the sealing rings completely lie in the bead evenly
2. Clean pipes and fittings at the connection areas
3. Paint the ends of the pipes with a lubricant for elastomere seals (soap solution and dishwashing detergents but no oil or grease)
4. Place the push-in coupling onto the cut edge of the pipe and push on the pipe against the stop by jerks and jolts and gentle tilting.
5. Also paint the connecting pipe with a lubricant and push against the stop in the same way as described above.
6. A spade may be of help as a lever for installation in a pipe trench. A squared timber laid across the pipe outlet strengthens the transverse load in axial direction.
7. The fittings may be equipped with the necessary couplings before installation. This makes final installation easier and faster.



Attention:

Straight pipelines must be covered with soil in order to prevent lateral movement. At changes of direction and branches, concrete anchorage is required to withstand internal pressure (during pressure testing and normal operation).

It is imperative to choose the correct cast iron pipe material for underground installation: a zinc-coated pipe system (TML, MLB or MLK-protect), as EN 877 only allows pipes with adequate outside coating to be installed in the soil.



Düker EK Fix Coupling / Konfix Multi Coupling



Düker EK Fix Coupling

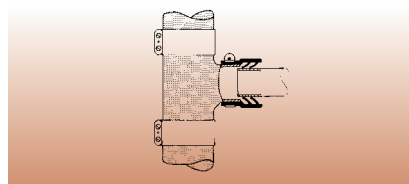
With the Düker EK Fix coupling, pipes and drainage pieces of PP as per EN 1451-1 and DIN 19560-10 as well as PE-HD as per EN 1519-1 and DIN 19535-10 can be connected easily and safely to SML pipes DN 50 to DN 125. The connecting pipe is securely in place thanks to the double lip sealing and large insertion depths.

Material: hot water resistant synthetic rubber EPDM. The Düker EK Fix couplings DN 100 and DN 125 are especially suited for connecting plastic roof drains.

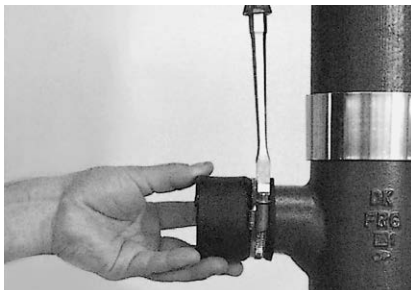


Konfix Multi Coupling

SML pipe DN	connecting pipe outside-Ø	insertion depth
50	40–56 mm	42
70	56–75 mm	55
80	56–75 mm	55
80	75–90 mm	60
100	104–110 mm	65
125	125 mm	75



Installation instructions:

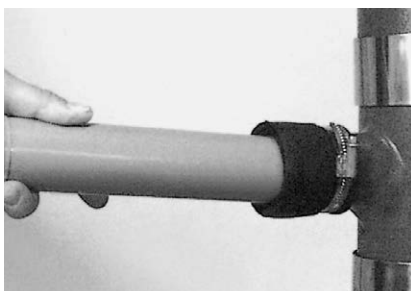


1. Push the Düker EK Fix coupling with opened clamp onto the SML pipe against the stop, then secure to the pipe with the clamp.

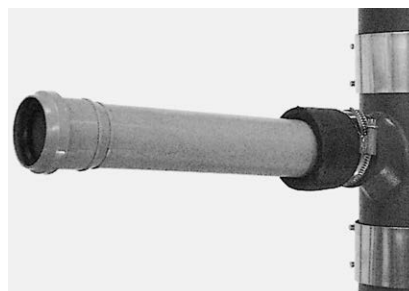


2. Grip the projecting rubber neck with a pair of tongs and carefully pull it out so that the opening is set free.

(Konfix Multi coupling only: use a knife to cut into the grooved front, choosing the groove according to the exterior diameter of the connecting pipe, and without injuring the sealing lip underneath, and open)



3. Mark the connecting pipe at the depth of insertion, apply lubricant and insert into the coupling.



4. The plastic pipe used illustrates the installation process.

Attention: Please observe the table of acceptable outside diameters of pipes.

Attention:

The connecting pipe may have to be fixed in order to avoid slipping due to internal pressure.

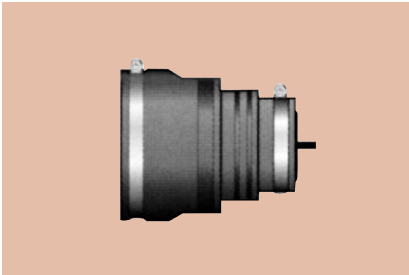
Multiquick Coupling



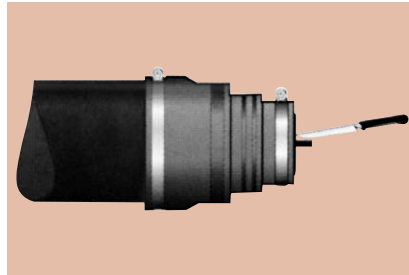
Connection possibilities

Düker SML pipes and fittings DN 100 to inherently stable other materials with an exterior diameter of 72 up to 110 mm.
 Düker SML pipes and fittings DN 100 to cast iron socket pipes DN 100 with an exterior diameter up to 115 mm. The coupling is delivered with two identical worm thread clamps, which are both adequate for the large diameter tolerance.

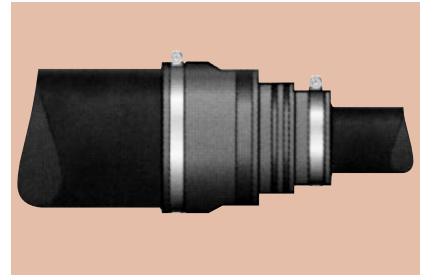
Installation instructions:



1. Push the open end of the Multiquick coupling over the cast iron pipe end and position the worm thread clamp in the groove intended for it. Then tighten the worm thread clamp without displacing it. Use a knife to cut open the closed side or to cut the coupling back according to the outer diameter of the connecting pipe. Cut the coupling in front of the step to the required diameter.



2. Now slide the second worm thread clamp over the connecting pipe, push the pipe into the Multiquick coupling and tighten the worm thread clamp in the intended position.



3. Watch out for a flawless and clean sealing zone on the pipes or fittings. Paint lumps or mortar must be removed completely with sand paper. The worm thread clamps must be tightened exclusively by hand with a screw driver in order to avoid damages to the Multiquick coupling.

Attention:

The connecting pipe may have to be fixed in order to avoid slipping due to internal pressure.



Transition Coupling DN 70 – DN 80 for SML-Pipe Systems as per DIN EN 877 and DIN 19522



Application

Transition coupling for SML pipe systems as per EN 877 DN 70 to DN 80 (also called DN 75/80).

Material

metal collar stainless steel
material no. 1.4510/11 W2
EPDM rubber

Attention:

The transition from DN 80 to DN 70 in the flow direction is only admissible for repair and modernization of old DN 70 lines where DN 70 is no longer available.

Installation instructions:



1. Push the Dükorapid® coupling DN 80 onto the SML pipe or fitting DN 80



2. Push hose 74/79 onto the SML pipe or fitting DN 70



3. Push SML-pipe DN 70 with the hose into the coupling DN 80



4. Tighten the screw on the Dükorapid® coupling (10 – 20 Nm)







Cutting Pipes

Düker hubless cast iron drainage pipes can be cut readily with the following tools:

1. Exact PipeCut pipe saw

This pipe saw ensures a precise, fast and safe cut without flying sparks and hot chips.



Düker cast iron drainage pipes are supplied in standard lengths of 3m. These pipes can be cut on site to the required length.

An excellent tool is the Exact PipeCut pipe saw, e.g. the Exact PipeCut 170E. For more information please consult the web page www.exacttools.com.

Electric belt saws with clamping device also give very good results without flying sparks.

Powered disc cutters with discs for cast iron should only be used with guidance devices, where the pipe is held and moved safely, and a right-angled cut is guaranteed.

1. Belt saw

Portable belt saws cut pipes perfectly



Another possibility are wheel cutters e.g. by Ridgid or Virax, which also ensure right-angled cutting.

It is important that the cut is always at a right angle to the pipe axis.

Attention:

Change the cutting discs and saw belts regularly!

2. Powered disc cutter

The best results with a powered disc cutter can be achieved with a disc appropriate for cast iron and a guidance as shown



3. Wheel cutter

For use without electricity



Cut Edge Protection pro-cut Tape

For sewage and waste water pipelines and the corresponding ventilation lines, pipe edges cut on site should be protected. Only the Düker pro-cut tape is to be used for this purpose.

The adhesive pro-cut tape consists of butyl rubber with a PP fleece cover.



1. after cutting the pipe/fitting, trim any sharp edges and clean the surfaces with an appropriate cloth and alcohol so they are absolutely dry and free of dust and grease. The alcohol must evaporate completely before the application of the tape.



2. cut pro-cut tape to the length of the pipe inside circumference (the measurements given in the table on the spool are to be observed), warm the tape slightly (heating or other heat source) and lift off the protective film.



3. lay the sticky side of the pro-cut tape onto the outside of the cut pipe, 20 mm from the edge.



4. draw the pro-cut tape around the pipe with slight and uniform tension, to a slight overlapping. If there is a gap, loosen both ends separately and draw the tape with higher tension until it overlaps.



5. fold the tape from the outside to the inside and press it tightly to the inside surface and the pipe edge. On the inside, the tape must fit without tension.



6. finished cut edge protection. If necessary, apply lubricant to install the coupling. Possibly loosen the coupling screws slightly before pushing it on.

Maintenance and Pipe Cleaning

On principle, installation must already be carried out in a ways that obstructions are prevented. If cleaning should nevertheless be required, we recommend cleaning with a high-pressure cleaning device.

Cleaning with mechanical pipe cleaning tools is not to be recommended due to the possibility of damages to the inside coatings.



Imbedding Cast Iron Pipes in Concrete

On principle, cast iron drainage pipes can be imbedded in concrete. The cast iron expansion coefficient practically corresponds to that of concrete. As concrete passivates iron, no special protection against corrosion is necessary for SML pipelines as well as couplings. The standard single screw or twin screw couplings can be used. The pipes must be surrounded by 5 cm concrete all around. When imbedding the pipeline in concrete and during prior pressure testing of the pipeline, considerable forces may occur. In addition, when imbedding in base plates usually only little declivity is available and therefore the pipeline must be perfectly adjusted. The arising forces (which would be the weight including the water filling) should be taken in with brackets and transferred to the lower concrete, soil or the intended reinforcement. Use of threaded rods simplifies the arrangement of the usually short descent. The pipeline will tend to float to the surface when pouring in concrete. Therefore it must be secured with brackets. We recommend to fill the pipeline with water before imbedding it in concrete. If SML pipelines are imbedded in waterproof concrete bottoms, it is usually expected that the concrete must surround the pipe all around with 20 cm. If many fittings are strung together and therefore bracket fastening is not possible, then grip collars will have to be used.

Imbedding SML main pipelines in the concrete bottom is recommended for:

1. high groundwater level

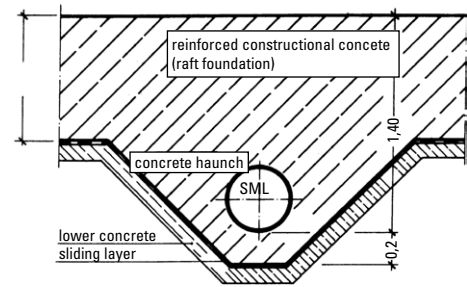
Advantage:

- the number of pipe penetrations through the waterproof floor plate is reduced.
- the pipeline itself is protected against any possibly aggressive groundwater.

2. non-bearing ground

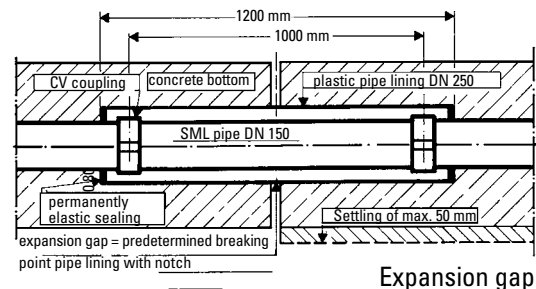
Advantage:

- not having to carry out the necessary floor exchange or floor improvement and saving costly constructions for fastening of the pipe lines below the floor plate.



Haunch in a concrete slab

If the thickness of the concrete slab is insufficient for installing the pipeline, the concrete slab must be reinforced at this point with a concrete haunch.



Expansion gap

Expansion gap

In order to avoid any differences in settling, joints made up of pipe cuttings (0.5 - 1.0 m) are arranged at the expansion gaps. These pipe cuttings are placed movable with help of a pipe lining or a polystyrene casing. According to EN 877, the permitted angling of SML couplings for the nominal widths is approximately: up to DN 200 3 cm/m DN 250 - 500 1.5 cm/m overall length.

A predetermined breaking point (notched or cut through) is to be added to the pipe lining where the expansion gap is. Trickling of concrete into the cut-through pipe lining should be avoided by sealing with adhesive tape. It should also be sufficiently fastened in order to avoid slipping.

Underground Installation of Cast Iron Drainage Pipelines

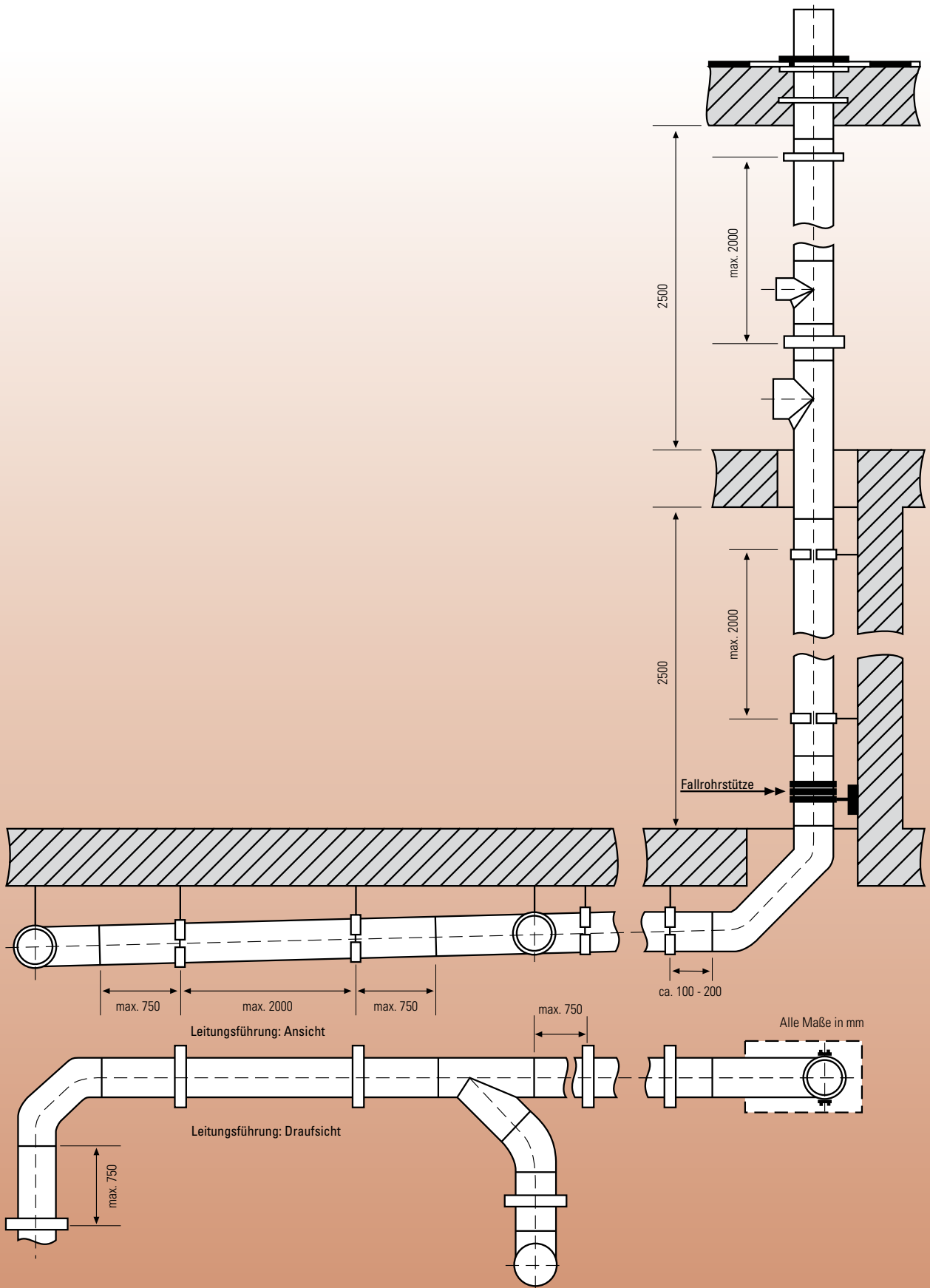
SML is not suitable for underground installation, use instead pipes with outside zinc coatings such as TML, MLK-protex or MLB. Regarding couplings, only "Inox" couplings or the SVE coupling are admissible. All other metal couplings require an additional corrosion protection.

For this additional protection, we recommend a petrolatum-based tape such as DENSO® Plast, if necessary combined with a petrolatum-based mastic such as DENSO® Mastic PF (available from company Denso, www.denso.de).

Installation Outside of Buildings

When SML pipelines are installed outside, e.g. rain water drain pipes, their outside surfaces are to be overcoated for a durable resistance to weather influences. Use corrosion protection coatings suitable for metal surfaces.

A corresponding overcoating is also to be recommended for installation in other areas with elevated humidity, or in aggressive environments.



Fixing SML Pipes

General rules

The distances of the fixings should be even and should not exceed a length of 2 m. 2 to 3 m long pipes should be fixed twice - short pipes, according to the nominal width (or pipe weight) should be fixed once or twice. Fixing is to be carried out in regular distances between the couplings whereas the distance before and after each coupling should not be larger than 0,75 m.

Horizontal pipes must be securely fastened at all changes of direction and branches. Pipes which are pendant-fixed are to be secured against any type of movement in distances of 10 to 15 m with special fixed-point holding devices. This guarantees an excellent directional stability and avoids pushing out of the planned direction by other subassemblies.

Down pipes are also to be fastened at a maximum distance of 2 m. If a storey is 2.50 m high, then fastening is needed twice per storey, among that once directly at all branches that may be installed.

Brackets

Use the customary pipe brackets with the corresponding fastening elements and supports. We recommend brackets with threaded connections M12 for SML pipes DN 50 to 150 - possibly M 8 for SML pipes up to DN 100. Rain water pipes and SML pipes under pressure should be fastened with brackets with threaded rods M 16. It might be useful to consult the manufacturer of pipe fixings.

SML down pipe supports should be fastened as close to the wall as possible in order to avoid large bending moment to the brackets. It is recommended to use a mounting console and the SML bearing ring for down pipe support.

Down pipe supports must carry the weight of the down pipe and should be fastened at the lowest possible point. They can carry as much vertical length as the wall can carry and the plugs can transmit to the wall. After this height, a further down pipe support is to be arranged.

In general we recommend to install a down pipe support in down pipes of DN 100 or larger above the basement ceiling, and further down pipe supports in intervals of 5 storeys.

SML pipes under pressure

Waste water pipes without thrust-resistant couplings must be secured against separation or slipping from the axis if internal pressure loads are to be expected. The demanded axial restraint can be obtained by thrust-resistant grip collars (see table on page 78/79).

Fixing and Noise Protection

For the observing of noise protection requirements, the choice of bracketry is decisive. Standard brackets with rubber insert are normally sufficient. For more information please refer to page 32 to 34.



Electrical Continuity

In some countries equipotential bonding, i.e. earthing of all exposed metallic items in a building is required.

Unlike welded metallic pipelines, a SML installation is not automatically earthed. The rubber lips inside the couplings prevent any direct contact between pipes and fittings.

Electrical continuity can be obtained by using suitable couplings. Couplings such as the Dükorapid® couplings, whose metal collars grip the pipe itself, can serve to provide electrical continuity along the installation, under condition that the electrical resistance of the installed coupling is not too high.

The British national annex NA8 to EN 877 provides a test method and maximum electrical resistance for couplings:

NA 8 Electrical continuity

The (EN 877) Standard does not accommodate electrical requirements, for such requirements BS 6087 amendment 2 should be referenced. The text of BS 6087 amendment 2 is reproduced below:

"If provision is made for electrical continuity, the electrical resistance of the coupling shall not exceed 0.3 ohms, when tested in accordance with the following procedure:

Apply a steadily increasing voltage not exceeding 50 V ac, 50 Hz., across the junction until a steady current of 25 ± 1 A flows through the coupling. Allow the current to flow for 30 s, maintaining it as necessary by adjusting the voltage. Calculate the resistance of the coupling by dividing the observed voltage by the current."

The Dükorapid® coupling has been tested as per these requirements and was certified by the TÜV Rheinland, Cologne to observe the maximum allowed resistance of 0.3 ohms. In fact, the resistance measured was only around 0.01 ohms. Continuity clips or similar devices are not required on the Dükorapid® coupling. If required please request the corresponding test report from Düker.

Please note that CV couplings are not suitable for providing electrical continuity. If CV couplings or similar couplings have been used, electrical continuity may be obtained by installing grip collars over them or by connecting an accompanying earthing cable to each pipe, fitting and coupling.



Filling level 50 % (h/d = 0,5)

SML	DN 70		DN 80		DN 100		DN 125		DN 150		DN 200		DN 250		DN 300	
	d _i =71		d _i =75		d _i =103		d _i =127		d _i =152		d _i =200		d _i =263		d _i =314	
J	Q	V	Q	V	Q	V	Q	V	Q	V	Q	V	Q	V	Q	V
cm/m	l/s	m/s	l/s	m/s	l/s	m/s	l/s	m/s	l/s	m/s	l/s	m/s	l/s	m/s	l/s	m/s
0,5	0,8	0,4	0,9	0,4	2,1	0,5	3,7	0,6	6,0	0,7	12,5	0,8	25,8	1,0	41,3	1,1
0,6	0,9	0,4	1,0	0,4	2,3	0,6	4,1	0,6	6,6	0,7	13,7	0,9	28,3	1,0	45,3	1,2
0,7	0,9	0,5	1,1	0,5	2,5	0,6	4,4	0,7	7,1	0,8	14,8	0,9	30,6	1,1	48,9	1,3
0,8	1,0	0,5	1,1	0,5	2,7	0,6	4,7	0,7	7,6	0,8	15,8	1,0	32,7	1,2	52,3	1,4
0,9	1,1	0,5	1,2	0,6	2,9	0,7	5,0	0,8	8,1	0,9	16,8	1,1	34,7	1,3	55,5	1,4
1,0	1,1	0,6	1,3	0,6	3,0	0,7	5,3	0,8	8,5	0,9	17,7	1,1	36,6	1,3	58,5	1,5
1,1	1,2	0,6	1,4	0,6	3,2	0,8	5,5	0,9	8,9	1,0	18,6	1,2	38,4	1,4	61,4	1,6
1,2	1,2	0,6	1,4	0,6	3,3	0,8	5,8	0,9	9,4	1,0	19,4	1,2	40,1	1,5	64,2	1,7
1,3	1,3	0,6	1,5	0,7	3,4	0,8	6,0	1,0	9,7	1,1	20,2	1,3	41,8	1,5	66,8	1,7
1,4	1,3	0,7	1,5	0,7	3,6	0,9	6,3	1,0	10,1	1,1	21,0	1,3	43,4	1,6	69,3	1,8
1,5	1,4	0,7	1,6	0,7	3,7	0,9	6,5	1,0	10,5	1,2	21,7	1,4	44,9	1,7	71,8	1,9
1,6	1,4	0,7	1,6	0,7	3,8	0,9	6,7	1,1	10,8	1,2	22,4	1,4	46,4	1,7	74,1	1,9
1,7	1,5	0,7	1,7	0,8	3,9	0,9	6,9	1,1	11,1	1,2	23,1	1,5	47,8	1,8	76,4	2,0
1,8	1,5	0,8	1,7	0,8	4,1	1,0	7,1	1,1	11,5	1,3	23,8	1,5	49,2	1,8	78,7	2,0
1,9	1,5	0,8	1,8	0,8	4,2	1,0	7,3	1,2	11,8	1,3	24,5	1,6	50,6	1,9	80,8	2,1
2,0	1,6	0,8	1,8	0,8	4,3	1,0	7,5	1,2	12,1	1,3	25,1	1,6	51,9	1,9	82,9	2,1
2,5	1,8	0,9	2,0	0,9	4,8	1,2	8,4	1,3	13,5	1,5	28,1	1,8	58,0	2,1	92,8	2,4
3,0	1,9	1,0	2,2	1,0	5,3	1,3	9,2	1,5	14,8	1,6	30,8	2,0	63,6	2,3	101,7	2,6

Filling level 70% (h/d=0,7)

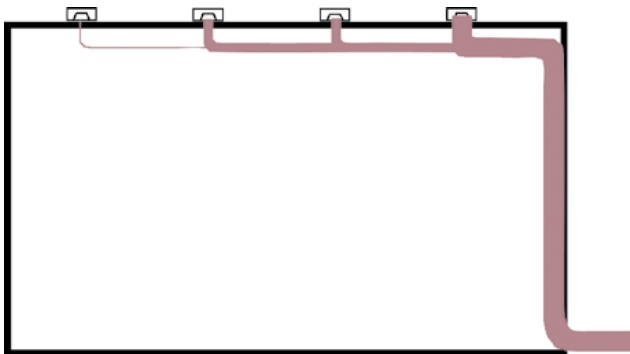
SML	DN 70		DN 80		DN 100		DN 125		DN 150		DN 200		DN 250		DN 300	
	d _i =71		d _i =75		d _i =103		d _i =127		d _i =152		d _i =200		d _i =263		d _i =314	
J	Q	V	Q	V	Q	V	Q	V	Q	V	Q	V	Q	V	Q	V
cm/m	l/s	m/s	l/s	m/s	l/s	m/s	l/s	m/s	l/s	m/s	l/s	m/s	l/s	m/s	l/s	m/s
0,5	1,3	0,4	1,5	0,5	3,6	0,6	6,2	0,7	10,1	0,7	20,8	0,9	43,1	1,1	68,9	1,2
0,6	1,4	0,5	1,7	0,5	3,9	0,6	6,8	0,7	11,0	0,8	22,9	1,0	47,2	1,2	75,5	1,3
0,7	1,6	0,5	1,8	0,5	4,2	0,7	7,4	0,8	11,9	0,9	24,7	1,1	51,1	1,3	81,6	1,4
0,8	1,7	0,6	1,9	0,6	4,5	0,7	7,9	0,8	12,7	0,9	26,4	1,1	54,6	1,3	87,3	1,5
0,9	1,8	0,6	2,1	0,6	4,8	0,8	8,4	0,9	13,5	1,0	28,1	1,2	58,0	1,4	92,6	1,6
1,0	1,9	0,6	2,2	0,7	5,1	0,8	8,8	0,9	14,3	1,1	29,6	1,3	61,1	1,5	97,6	1,7
1,1	2,0	0,7	2,3	0,7	5,3	0,9	9,3	1,0	15,0	1,1	31,0	1,3	64,1	1,6	102,4	1,8
1,2	2,0	0,7	2,4	0,7	5,5	0,9	9,7	1,0	15,6	1,2	32,4	1,4	67,0	1,6	107,0	1,8
1,3	2,1	0,7	2,5	0,7	5,8	0,9	10,1	1,1	16,3	1,2	33,8	1,4	69,7	1,7	111,4	1,9
1,4	2,2	0,7	2,6	0,8	6,0	1,0	10,5	1,1	16,9	1,2	35,0	1,5	72,4	1,8	115,6	2,0
1,5	2,3	0,8	2,7	0,8	6,2	1,0	10,9	1,1	17,5	1,3	36,3	1,5	74,9	1,8	119,7	2,1
1,6	2,4	0,8	2,7	0,8	6,4	1,0	11,2	1,2	18,1	1,3	37,5	1,6	77,4	1,9	123,7	2,1
1,7	2,4	0,8	2,8	0,9	6,6	1,1	11,6	1,2	18,6	1,4	38,6	1,6	79,8	2,0	127,5	2,2
1,8	2,5	0,8	2,9	0,9	6,8	1,1	11,9	1,3	19,2	1,4	39,8	1,7	82,1	2,0	131,2	2,3
1,9	2,6	0,9	3,0	0,9	7,0	1,1	12,2	1,3	19,7	1,5	40,9	1,7	84,4	2,1	134,8	2,3
2,0	2,7	0,9	3,1	0,9	7,2	1,2	12,5	1,3	20,2	1,5	41,9	1,8	86,6	2,1	138,3	2,4
2,5	3,0	1,0	3,4	1,0	8,0	1,3	14,0	1,5	22,6	1,7	46,9	2,0	96,9	2,4	154,7	2,7
3,0	3,3	1,1	3,8	1,1	8,8	1,4	15,4	1,6	24,8	1,8	51,4	2,2	106,1	2,6	169,6	2,9

Filling level 100% (h/d=1,0)

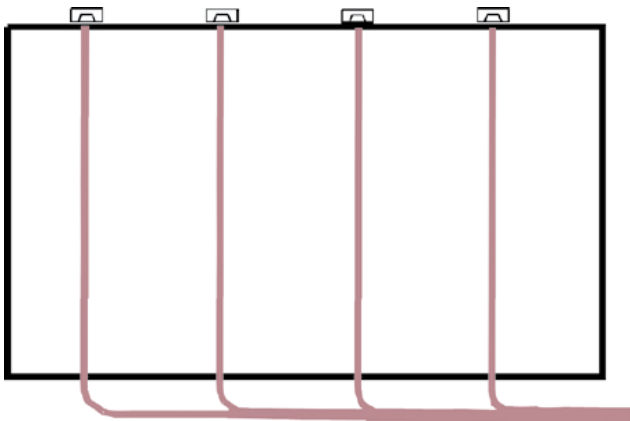
SML	DN 70		DN 80		DN 100		DN 125		DN 150		DN 200		DN 250		DN 300	
	d _i =51		d _i =75		d _i =103		d _i =127		d _i =152		d _i =200		d _i =263		d _i =314	
J	Q	V	Q	V	Q	V	Q	V	Q	V	Q	V	Q	V	Q	V
cm/m	l/s	m/s	l/s	m/s	l/s	m/s	l/s	m/s	l/s	m/s	l/s	m/s	l/s	m/s	l/s	m/s
0,5	1,6	0,4	1,8	0,4	4,2	0,5	7,4	0,6	12,0	0,7	24,9	0,8	51,6	1,0	82,6	1,1
0,6	1,7	0,4	2,0	0,4	4,7	0,6	8,2	0,6	13,2	0,7	27,4	0,9	56,6	1,0	90,5	1,2
0,7	1,9	0,5	2,1	0,5	5,0	0,6	8,8	0,7	14,2	0,8	29,6	0,9	61,2	1,1	97,8	1,3
0,8	2,0	0,5	2,3	0,5	5,4	0,6	9,4	0,7	15,2	0,8	31,6	1,0	65,4	1,2	104,6	1,4
0,9	2,1	0,5	2,4	0,6	5,7	0,7	10,0	0,8	16,2	0,9	33,6	1,1	69,4	1,3	111,0	1,4
1,0	2,2	0,6	2,6	0,6	6,0	0,7	10,6	0,8	17,1	0,9	35,4	1,1	73,2	1,3	117,1	1,5
1,1	2,3	0,6	2,7	0,6	6,3	0,8	11,1	0,9	17,9	1,0	37,1	1,2	76,8	1,4	122,8	1,6
1,2	2,4	0,6	2,8	0,6	6,6	0,8	11,6	0,9	18,7	1,0	38,8	1,2	80,3	1,5	128,3	1,7
1,3	2,5	0,6	2,9	0,7	6,9	0,8	12,1	1,0	19,5	1,1	40,4	1,3	83,6	1,5	133,6	1,7
1,4	2,6	0,7	3,1	0,7	7,2	0,9	12,5	1,0	20,2	1,1	41,9	1,3	86,7	1,6	138,7	1,8
1,5	2,7	0,7	3,2	0,7	7,4	0,9	13,0	1,0	20,9	1,2	43,4	1,4	89,8	1,7	143,6	1,9
1,6	2,8	0,7	3,3	0,7	7,7	0,9	13,4	1,1	21,6	1,2	44,9	1,4	92,8	1,7	148,3	1,9
1,7	2,9	0,7	3,4	0,8	7,9	0,9	13,8	1,1	22,3	1,2	46,3	1,5	95,6	1,8	152,9	2,0
1,8	3,0	0,8	3,5	0,8	8,1	1,0	14,2	1,1	22,9	1,3	47,6	1,5	98,4	1,8	157,3	2,0
1,9	3,1	0,8	3,6	0,8	8,3	1,0	14,6	1,2	23,6	1,3	48,9	1,6	101,1	1,9	161,7	2,1
2,0	3,2	0,8	3,7	0,8	8,6	1,0	15,0	1,2	24,2	1,3	50,2	1,6	103,8	1,9	165,9	2,1
2,5	3,5	0,9	4,1	0,9	9,6	1,2	16,8	1,3	27,1	1,5	56,2	1,8	116,1	2,1	185,6	2,4
3,0	3,9	1,0	4,5	1,0	10,5	1,3	18,4	1,5	29,7	1,6	61,6	2,0	127,2	2,3	203,3	2,6

Attention: please observe the minimum slope defined in EN 12056.

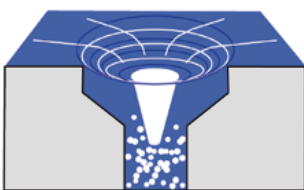
Aquaperfect Siphonic Flat Roof Drainage



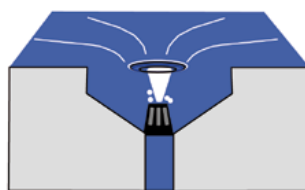
Aquaperfect siphonic system



Gravity drainage



Normal roof drain



Drain for Aquaperfect siphonic system with air sieve when the calculation rainfall is reached

Differences to Gravity Drainage

In a normal gravity roof drainage, the rain water is drained to the public sewage through partly filled pipelines. The filling level of these pipelines is generally at a maximum of 70% in order to ensure air circulation and pressure-free drainage.

In the Aquaperfect siphonic system, starting at a certain rain water quantity (calculation rainfall quantity), the pipeline works without air and with negative pressure. The intake of air is avoided by an air sieve in the roof drain, which prevents the forming of a vortex (Coriolis force).

Advantages and Application

The collection lines in the Aquaperfect siphonic system are installed without slope and therefore save space below the roof construction. Nevertheless, the elevated flow velocities ensure a good selfcleaning effect. Smaller nominal widths, inferior material requirements and the avoidance of pipe trenches and base pipelines save cost and installation time.

Cast iron distinguishes itself by a low thermal expansion coefficient and does not add combustion loads to the building. Very important is the resistance to high negative pressure in the pipe, so it is not necessary to over-dimension the pipelines.

The Aquaperfect siphonic system ought to be considered in the following cases:

- large roof areas, min. 150 m² per drain
- a difference in height of at least 4.2 m between the roof and the back water level
- limited installation space below the ceiling
- long collection pipelines

Standards

The planning and execution of siphonic systems is based on:

- EN 12056-3 (Layout and calculation of roof drainage)
- DIN 1986-100 (German supplement to EN 12056)
- EN 1253 (roof drains)

Functioning

The pressure height corresponds to the difference in height between the roof surface and the gravity drainage part of the rain water installation, which is at or above the back water level (street level). Contrary to this force acts the pressure loss caused by pipe friction and the individual pressure resistance of the pipeline components. At the zero point, both forces cancel each other out, here the negative pressure converts to a positive pressure. After a relaxation length, the drainage has to transform into a gravity drainage at the back water level or in some cases above that level.

The strongest negative pressure is normally to be found at the so-called critical point, the turning of the horizontal collection pipe into the down pipe. The negative pressure may amount to a maximum of -900 mbar.

The flow velocity in the negative pressure area should be at least 0.5 m/s. In the transition area from the siphonic to gravity drainage, the elevated kinetic energy of the siphonic flow must be considered when installing the pipeline (e.g. abutments, grip collars, down pipe support etc.).

The drainage volume of the single roof drains ought to be practically identical within tight tolerances in order to avoid flow breaks, which would lead to delays in reaching the full flow.

The calculation rainfall quantity is to be defined based on local statistical values. For economical reasons and in order to ensure the self-cleansing effect, the full flow calculation is based on the highest rainfall quantity during five minutes which falls statistically within a period of five years (e.g. 300 l/(s-ha)). The highest five-minutes rainfall quantity which is to be expected statistically within a period of 100 years – the so-called century rain (e.g. 600 l/(s-ha)) – cannot be drained through the siphonic pipeline system and might endanger the flat roof construction due to its weight. In case of flat roofs in light-weight construction, emergency drains must be installed for this contingency in any case.

For other roof constructions this must be examined in each case. The drainage is done either by side drains over the facade, or with roof drains with height extensions which allow for the corresponding water level on the roof and dispose of a separate pipeline system. The water will be drained to surfaces near the building that can be flooded without danger.

Calculation

The pressure ratio, flow velocities and drainage volumes must be calculated for each pipeline section and for each drain separately and then adjusted to the requirements. A calculation by hand is possible using among other things the Bernoulli equation. However, this calculating work is time-consuming, error-prone and troublesome: if the required values are not reached, the pipeline must be changed and the calculation must be repeated, if necessary several times. Larger building projects practically have to be planned with an appropriate computer software. Aquaperfect partners – Düker and Aco Passavant – offer you the service of planning and calculating siphonic systems for specific building projects.

The specifier receives:

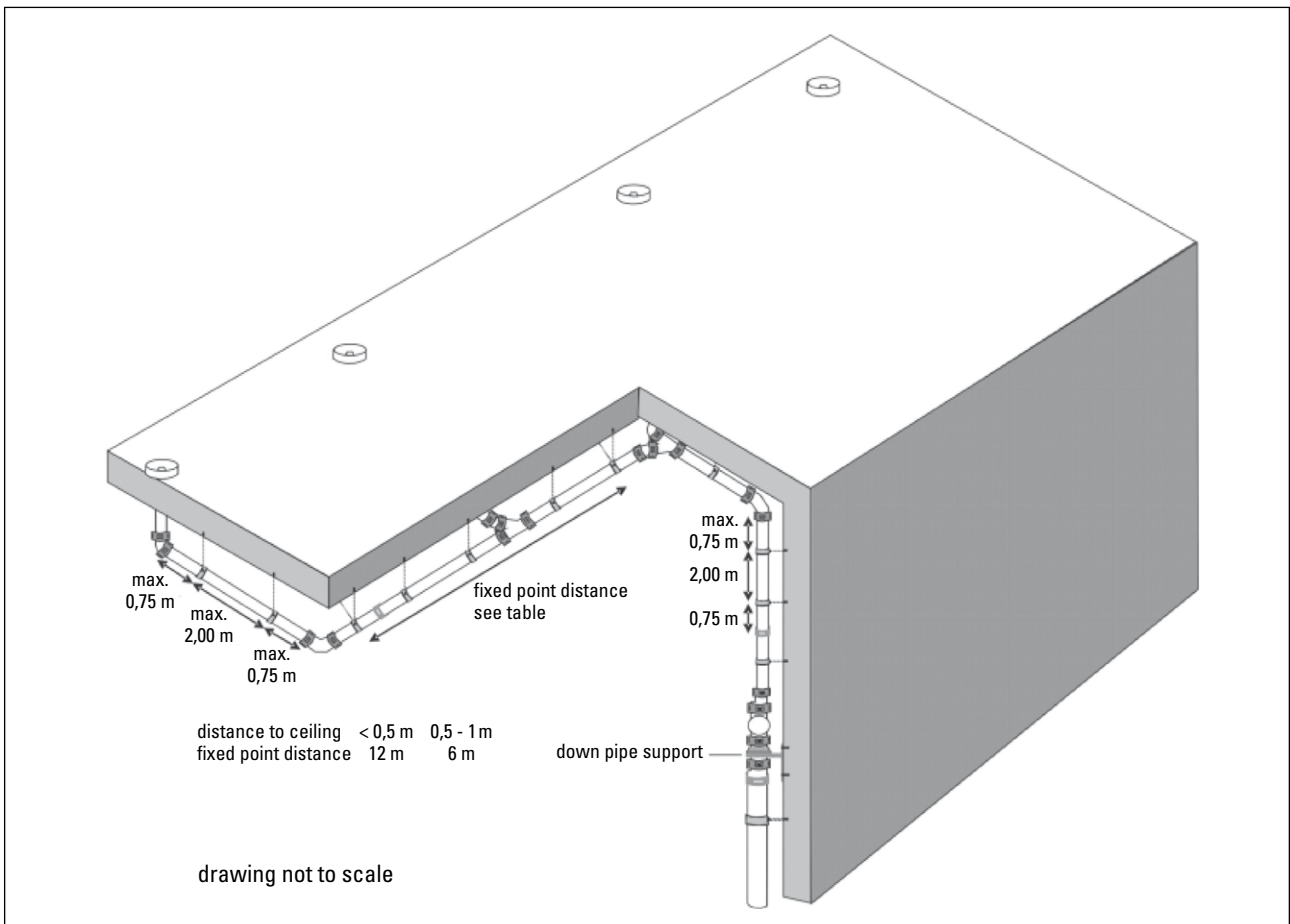
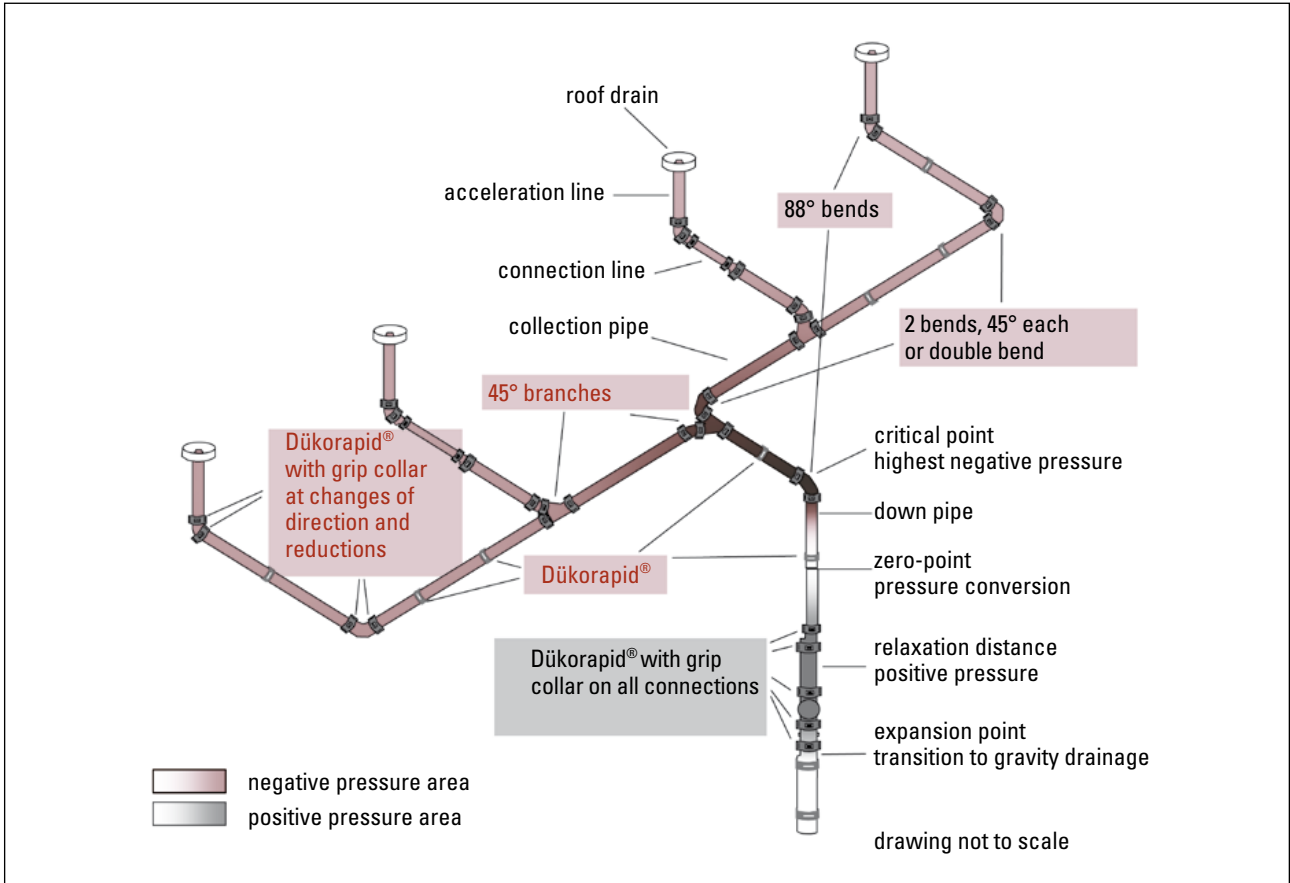
- pipeline section table and complete hydraulic calculation
- list of materials
- pipeline drawing
- specifying text

Data required for the calculation

- horizontal sections
- sections
- detail of roof construction and insulation
- roof view with notation of the low-level points for drainage
- position of the back water level
- position of the connection points to the gravity system (base or collection pipes) and connection diameters
- Calculation rainfall quantity and roof material calculation value
- position of emergency drains
- effective drainage height, considering the admissible loads on the roof surface

In case of constructional modifications, the siphonic system must be re-calculated!





General Rules for Planning

The following hints make planning easier:

- The pipeline nets ought to be symmetrical where possible.
- The acceleration line ought to be at least 0.4 m.
- The connection pipeline must be sufficiently long and be connected horizontally to the collection pipe.
- The overall length of the longest flow distance (from the roof drain to the base pipeline) should be no more than ten times the height of the down pipe, but in any case no more than 100 m.
- The roof surface per down pipe should be no more than 5000 m².
- The distance between two drains should not surpass 20 m.
- Roof surfaces with a height difference of more than 1 m or with different roof material values should not be connected to the same down pipe.

Rules for Fixing and Installing

The installation must follow EN 12056 part 1, paragraph 5.4.2, part 3, paragraph 7.6.2 as well as German DIN 1986 part 100, sections 5.1.3 and 6.4.

On principle, the pipeline directions, diameters and lengths stated in the specifications must be observed, as otherwise the calculated pressures and volumes will not be reached. The material type must be observed as other materials differ regarding pressure loss and reaction to negative pressure. A minimum of 6 m of the gravity drainage must also be installed in cast iron material. The pipelines in the negative pressure area can be installed without slope.

Fittings

At branchings, branches with 45° angles must be used, for turns bends with 45°, or double bends. Only at the end of the acceleration line (below the roof drain) and at the transition into the down pipe, 88° bends are used.

Couplings

On principle Rapid couplings should be used at all connections.

In the area of negative pressure, all turns, branchings, reductions and the complete acceleration line must be secured with grip collars. In the area of positive pressure, all couplings must be secured with grip collars. Where the gravity drainage starts, on a length of 6 m all changes of direction are to be secured with grip collars. In case of down pipes of more than 30 m height, the bends must be secured in any case.

Fixings

The basic rules of page 94/95 are to be observed.

Fixed-point devices are to be installed with an inbetween distance of no more than 12 m (distance to the ceiling < 0.5 m) or 6 m (distance to the ceiling 0.5 – 1 m). The fixed points can be executed with threaded rods at an angle of at least 30° to the vertical fixing, or with consoles.

Pipelines with risk of water condensation

Pipelines that can be subject to condensation or frost must be insulated accordingly.

Start-off and Maintenance

After installation the roof surface is to be cleaned thoroughly. If considerable dirt accumulation on the roof surface is to be expected later on, it is recommendable to use gravel as a filter layer. Unless the gravel is used on the whole roof, a gravel edge with a width of 0.5 m should be applied around the roof drain. A maintenance contract covering the removal of dirt, plant growth and dead leaves and the check of the drain components is recommendable.

Contact

For the calculation of Aquaperfect siphonic systems and in case of technical questions please contact our hotline at +49 9353 791-280.



CAD Product Images in 2D and 3D Format

1. Product data and drawings for users of installation planning and design software

Many planning software types should be equipped with an interface for VDI 3805 / ISO 16757 product data. The user can import the complete file library from the internet. Afterwards the complete technical and commercial data as well as 3D geometry data will be available in the software – including disturbance space, connecting points, flow resistance etc.

The VDI 3805 guideline, which is presently being incorporated into an international standard ISO 16757, represents a universal and open data format for product data for building installation applications. If your planning and design software should not import the data, please consult the software supplier so the corresponding interface is opened up in your software version.

The complete VDI 3805 library can be found on www.dueker.de/vdi3805.

2. For users of Autodesk Revit or Autocad MEP

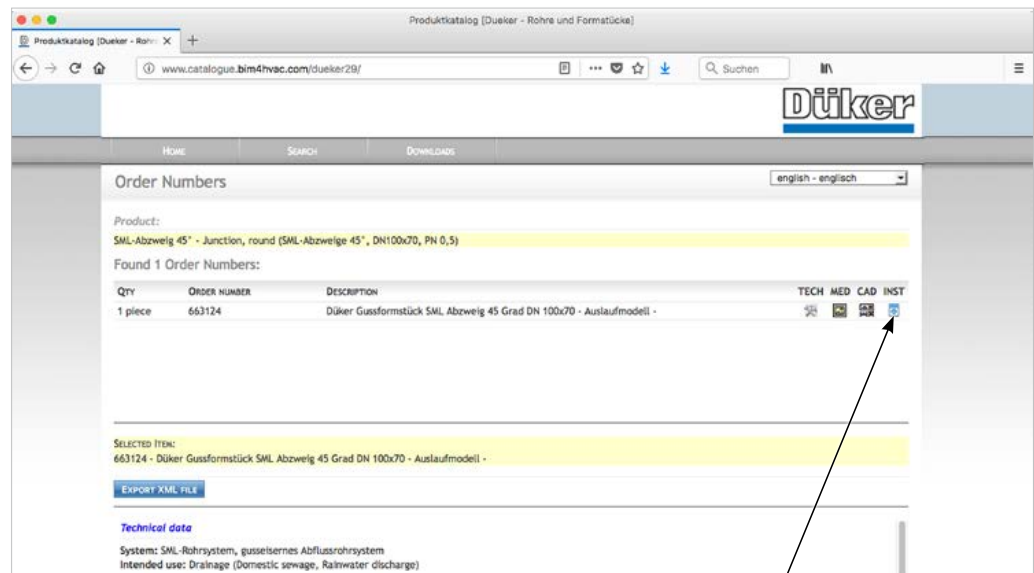
In Revit or Autocad MEP, the product data can be imported directly after the installation of the suitable plugin. The plugins can be found at: <http://www.bim4hvac.com/en-gb/> (under Downloads).

The Düker product data can be found here: www.catalogue.bim4hvac.com/dueker29

3. For users of BIM software with IFC import

In the internet application VDI3805-Portal at www.catalogue.bim4hvac.com/dueker29 all articles can be generated and exported as IPC files.

As an alternative, other drawing formats such as Step or dxf/dwg are available.



Don't forget to install the CAD-Viewer, to be found under „INST“!

CAD Product Images in 2D and 3D Format

4. For users of CAD software programmes

All relevant product drawings are available in the web selector at www.vdi3805.org/webselektor/ducker.

All drawing views can be saved as dxf files (3D or 2D), or imported into the CAD programme directly per "drag and drop".

The advantage of this internet portal: here it is not necessary to install an additional viewer.

Download of the complete VDI-3805 library

Tender texts

Change language "Sprache ändern"

Pdf documents on the product

Selection of accessories and transfer to the product list

Download of dxf files

Product navigator: Select Product range (pipes or fittings) then narrow down the search e.g. through product group or product name. The corresponding products are shown in the right-hand window.

Order number	GTIN / EAN	Product designation	Area of application
862124	4019002119124	SM, branch SP, DN150x150	domestic waste water
862204	4019002119119	SM, branch SP, DN125x125	domestic waste water
862204	4019002119174	SM, branch SP, DN125x125	domestic waste water
722452	4019002202941	SM, branch SP, DN125x125	domestic waste water
862204	4019002120102	SM, branch SP, DN125x125	domestic waste water
862204	4019002120126	SM, branch SP, DN125x125	domestic waste water
862204	4019002120144	SM, branch SP, DN125x125	domestic waste water
862204	4019002120120	SM, branch SP, DN125x125	domestic waste water
862204	4019002120142	SM, branch SP, DN125x125	domestic waste water
862204	4019002120141	SM, branch SP, DN125x125	domestic waste water



No.	Quantity	Subject	Unit price	Total
7		<p>pcs. Düker SML inspection pipes with rectangular opening, for horizontal and down pipes, DN, supply and installation</p> <p>material: wages:</p>		
8		<p>pcs. Düker SML down pipe supports including supporting ring with rubber ring, DN, supply and installation</p> <p>material: wages:</p>		
9		<p>pcs. Dükorapid® couplings, metal collar made of stabilised chromium steel, material no. 1.4510/11 as per EN 10088, lock with only one bolt, locking plates made of material no. 1.4301 as per EN 10088; bolt and square nut steel with zinc lamellae coating, washer steel A2. Sealing collar made of EPDM, DN, supply and installation.</p> <p>material: wages:</p>		
10		<p>pcs. Dükorapid® Inox couplings, metal collar and lock made of material no. 1.4404 as per EN 10088, lock with only one bolt, bolt, square nut and washer steel A4. Sealing collar made of EPDM, DN, supply and installation.</p> <p>material: wages:</p>		
11		<p>pcs. Rapid Inox couplings, lock with only one bolt, all parts made of material no. 1.4571/1.4401 as per EN 10088, sealing collar made of EPDM**, DN, supply and installation.</p> <p>material: wages:</p>		
12		<p>pcs. Düker CV couplings, metal collar made of stabilised chromium steel, material no. 14510/11 as per EN 10088; lock and bolts galvanised, sealing collar made of EPDM, DN, supply and installation.</p> <p>material: wages:</p>		
13		<p>pcs. CE couplings, metal collar, lock and screws made of chromium nickel steel, material no. 1.4301 as per EN 10088, sealing collar made of EPDM, DN, supply and installation.</p> <p>material: wages:</p>		
14		<p>pcs. Düker CE dual ring coupling, metal collar, locking parts and screws made of chromium nickel steel, material no. 1.4301 as per EN 10088, sealing collar made of EPDM, DN, supply and installation.</p> <p>material: wages:</p>		
15		<p>pcs. Connect-F Inox couplings, metal collar made of material no. 1.4571, locking parts made of material no. 1.4401, screws made of material no. 1.4404, sealing collar made of EPDM, DN, supply and installation.</p> <p>material: wages:</p>		



CONTACTS

Your Contacts at Düker Company

Export Department

Tel. +49 9353 791 570

Fax +49 9353 791 8570

E-Mail sales.drainage-tech@dueker.de

Export Manager

Mr Gerald Werner

Tel. +49 9353 791 250

E-Mail gerald.werner@dueker.de

Export Team

Ms Lena Zierold

Tel. +49 9353 791 414

E-Mail lena.zierold@dueker.de

Ms Petra Benkert

Tel. +49 9353 791 274

E-Mail petra.benkert@dueker.de

Mr Waldemar Ganin

Tel. +49 9353 791 279

E-Mail waldemar.ganin@dueker.de







DRAINAGE TECHNOLOGY

JOBGING FOUNDRY

FITTINGS AND VALVES

Always read the latest
edition of this catalogue on
www.dueker.de:



233040 / 06.21 Specifications
subject to change without notice.

Düker GmbH

Würzburger Straße 10-16
D-97753 Karlstadt /Main
Germany

Phone +49 9353 791-570
Fax +49 9353 791-8570

Internet: www.dueker.de

E-Mail: sales.drainage-tech@dueker.de