

Installation Instructions

Fire protection coupling

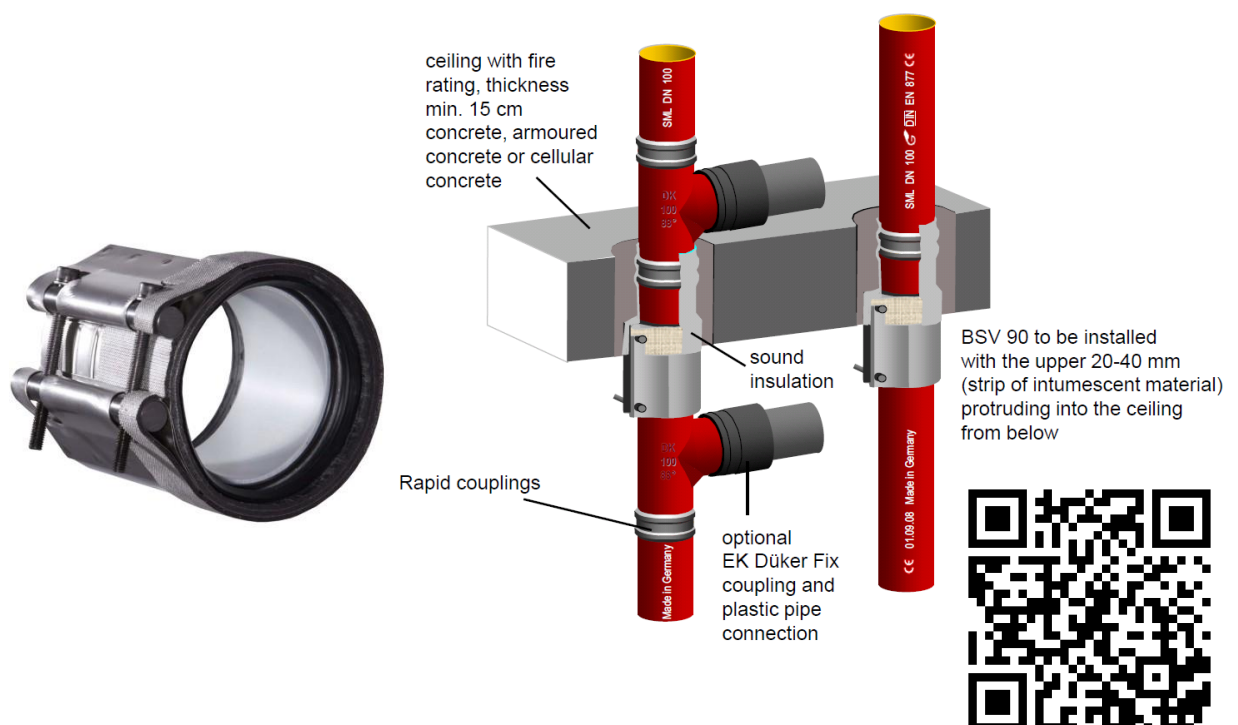
Düker BSV 90

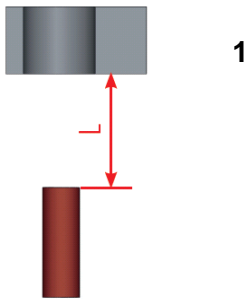
pipe penetration seal

EI 90

for Düker cast iron drainage pipe systems
as per DIN EN 877 and DIN 19522

Fire resistance classification report 0672-901 7132 000/Re/Pk
MPA Stuttgart

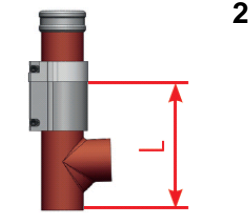




1

Application:

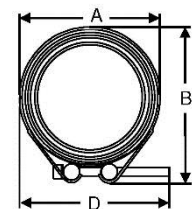
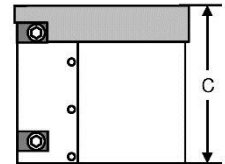
The Düker BSV 90 can be used as a pipe penetration seal in ceilings of at least 15 cm thickness, made of concrete, armoured concrete or cellular concrete and classified at least REI 90. It is for pipelines made of Düker cast iron pipes and fittings as per EN 877 in the pipe diameter range from DN 80 up to DN 150 which penetrate the ceiling vertically, installed with Rapid couplings. The BSV 90 is pressure-tight up to 5 bars if axial restraint is otherwise assured.



2

Dimensions:

DN	A	B	C	D	core hole drilling*	torque Nm**	insertion depth of the pipe in the BSV ca.
80	106	115	135	125	160	15-17	24 mm
100	133	145	135	140	180	15-17	24 mm
125	160	175	150	155	200	15-17	31 mm
150	188	198	150	170	240	15-17	31 mm



Hint A

* for one pipe penetration

** use torque wrench. If the lock touches before reaching this torque, do not tighten any further. When installing at low ambient temperatures, it may be necessary to re-tighten the bolts later on.

Installation:



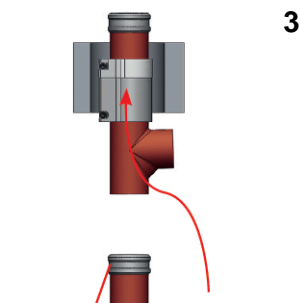
Hint B

- 1 Place the core hole drilling aligned with the pipe axis. See the table for the recommended dimensions. The remaining gap between the BSV and the hole inside walls may be a maximum of 50 mm. The distance L is to be calculated from the length of the pre-installed fitting with BSV 90, less 20 to 40 mm (see step 2).
- 2 Fitting and pipe section, or pipe and pipe section, are to be inserted into the BSV from above and below. Watch out that the rubber sealing is not folded back, and that the intumescence material fixed to the outside of the BSV faces upward. After that fasten the screws alternately as per the torques given in the table, using a torque wrench. For easier handling, the screws may be shortened after fastening.

Practical Hints

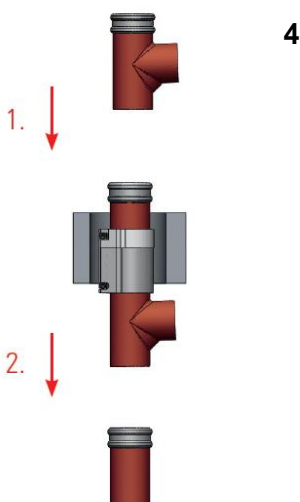
A For easier insertion, the metal collar can be pushed downward and upward. Keep the BSV at room temperature to maintain the rubber elastic and do not use any lubricant. When inserting pipe or fitting, check that the rubber seal fits correctly.

B The BSV should not be opened. If the metal collar has been opened, see that the metal lip is placed correctly below the opposite lock.



3

- 3 Insert the pre-assembled module into the ceiling from below.
- 4 1-Insert the next pipe or fitting into the Rapid coupling from above and fasten the bolt. 2-Then lower and connect to the down pipe.
- 5 Apply acoustic protection if required with a max. 5 mm thick strip of PE material. The acoustic protection need not be non-flammable.
- 6 The gap between the ceiling and the pipe/BSV/acoustic protection is to be filled up completely with concrete, cement or gypsum mortar.



4

Düker GmbH
 Würzburger Straße 10-16
 D-97753 Karlstadt
 Tel. +49 9353 791-570
 Fax +49 9353 791-8570
 Internet: www.dueker.de